

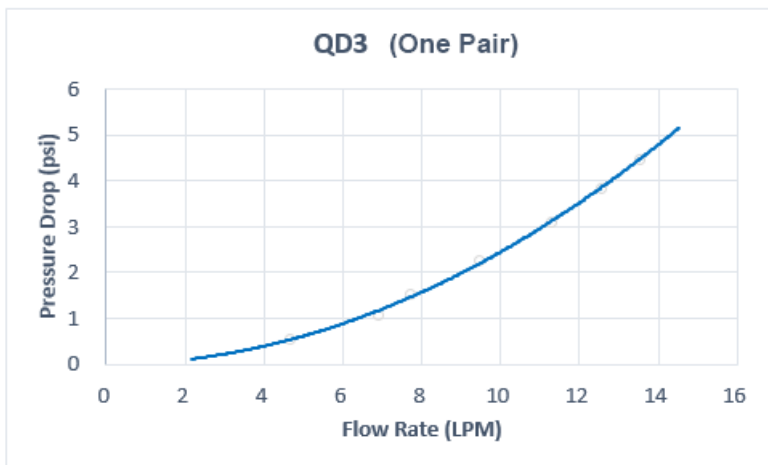
**QD3 Female Quick Disconnect No-Spill Coupling, Male Threaded, 1/4 NPT**

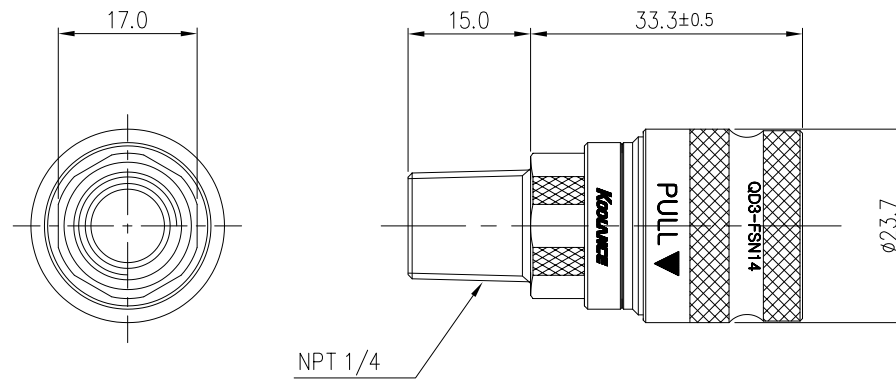


Koolance patented quick disconnect no-spill coupling with automatic shutoff. 1/4 NPT (tapered) threaded female fitting for screwing directly into a component of the same threading. It will only fit a Koolance QD3 male quick disconnect.

After pulling the ring on the female QDC side, the quick-disconnect fittings will separate. Liquid on both sides will be automatically obstructed with approximately 0.2ml freed. Coolant volume lost upon disconnection will rise with internal pressure higher than 0.5kgf/cm<sup>2</sup> (7psi).

General	
Weight	0.17 lb (0.08 kg)
Fitting Thread	NPT 1/4
Max No-Spill Pressure	0.5kgf/cm <sup>2</sup> (7psi)
Max Pressure Tolerance @ 25° C	8kgf/cm <sup>2</sup> (113.8psi)
Max Temperature Tolerance	80° C (176° F)
Min Pressure Tolerance @ 25° C	-1.0kgf/cm <sup>2</sup> (-14psi)
Min Storage Temperature (*No Freezing)	-20° C (-4° F)
Seal Material	EPDM (Water/Glycol Liquids)
Wetted Materials	Brass, Nickel Plating, Stainless Steel, EPDM





REV	DATE	CONTENTS	REVD BY	CHKD BY	APPD BY
REVISION					

NO.	DISCRIPTION			MATER'L		QUANTITY	REMARKS
	<b>KOLANCE</b> <small>INC.</small>	DECIMAL PLACES	INCHES	MILLIMETRES	UNIT	MM	ITEM QD3 SHORT
		.XXX	±.005	±0.1	SCALE	N/S	TITLE QD3-FSN14
		.XX	±.010	±0.3			
	.X	±.020	±0.5				
DATE	BY	BY	BY	APPRO BY	ANGULAR DIMENSIONS		
	SONG				3RD ANGLE		
					XX°	±0.5°	
					XX.X°	±0.1°	
					SURFACE	SURFACE	SURFACE
					ROUGHNESS	.63	1.6
					CODE NO.	DWG. NO.	PAGE