

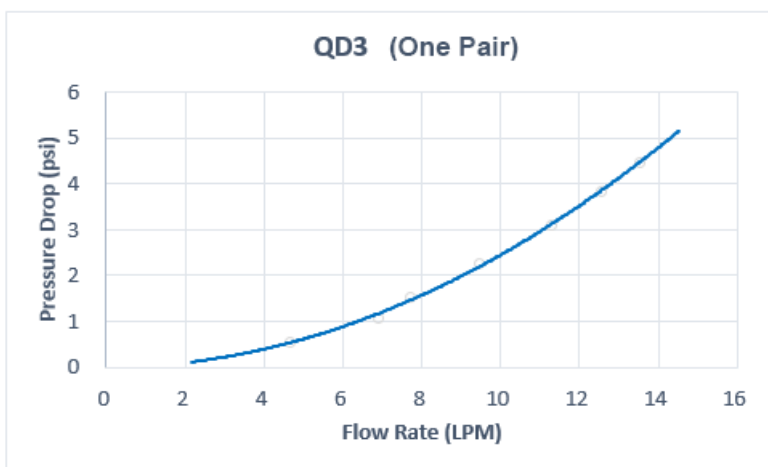
QD3 Male Quick Disconnect No-Spill Coupling, Compression for 13mm x 19mm (1/2in x 3/4in)

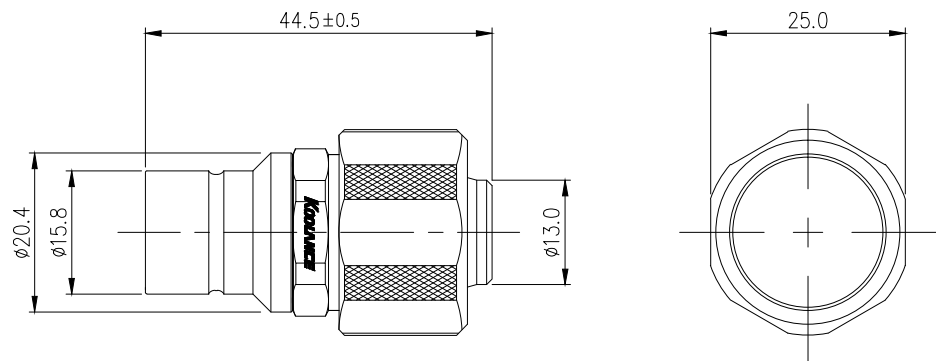


Koolance patented quick disconnect no-spill coupling with automatic shutoff. 13mm (1/2in) ID, 19mm (3/4in) OD male straight connection with compression fitting. It will only fit a Koolance QD3 female quick disconnect.

After pulling the ring on the female QDC side, the quick-disconnect no-spill fittings will separate. Liquid on both sides will be automatically obstructed with approximately 0.2ml freed. Coolant volume lost upon disconnection will rise with internal pressure higher than 0.5kgf/cm² (7psi).

General	
Weight	0.16 lb (0.07 kg)
Max No-Spill Pressure	0.5kgf/cm ² (7psi)
Max Pressure Tolerance @ 25° C	8kgf/cm ² (113.8psi)
Max Temperature Tolerance	80° C (176° F)
Min Pressure Tolerance @ 25° C	-1.0kgf/cm ² (-14psi)
Min Storage Temperature (*No Freezing)	-20° C (-4° F)
Seal Material	EPDM (Water/Glycol Liquids)
Wetted Materials	Brass, Nickel Plating, Stainless Steel, EPDM





REV	DATE	CONTENTS	REVD BY	CHKD BY	APPD BY

REVISION

NO.	DISCRIPTION			MATER'L	QUANTITY	REMARKS
				UNIT	MM	ITEM QD3
				SCALE	N/S	TITLE
DATE	BY	BY	BY	APPRO	BY	3RD ANGLE
	SONG					QD3-MS13X19-BK
						CODE NO.
						DWG. NO.
						PAGE

DECIMAL PLACES	INCHES	MILLIMETRES
.XXX	±.005	±0.1
.XX	±.010	±0.3
.X	±.020	±0.5

ANGULAR DIMENSIONS		
XX°	±0.5°	
XX.X°	±0.1°	

SURFACE ROUGHNESS	SURFACE	SURFACE
	.63	1.6