

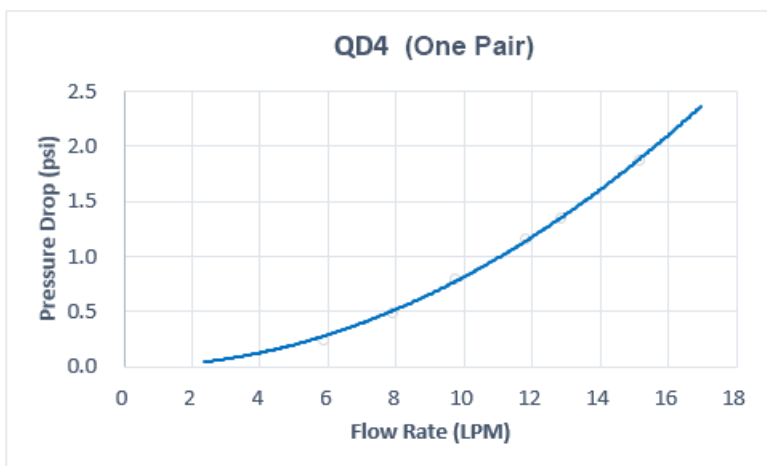
QD4 Male Quick Disconnect No-Spill Coupling, Compression for 13mm x 19mm (1/2in x 3/4in)

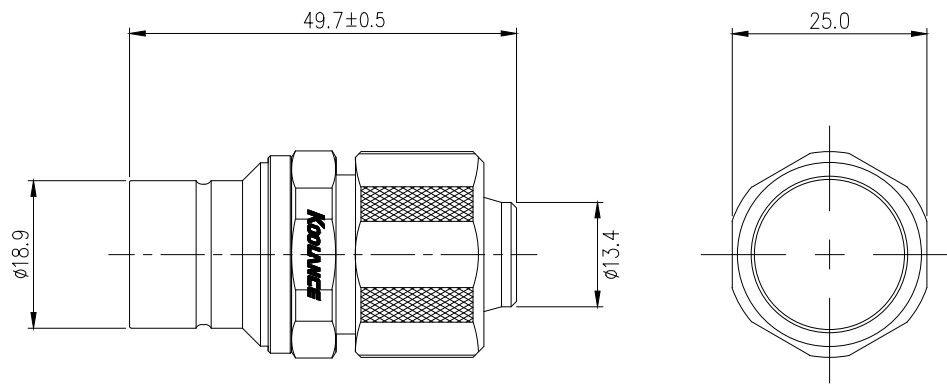


Koolance patented quick disconnect no-spill coupling with automatic shutoff. 13mm (1/2in) ID, 19mm (3/4in) OD male straight connection with compression fitting. It will only fit a Koolance QD4 female quick disconnect.

After pulling the ring on the female QDC side, the quick-disconnect fittings will separate. Liquid on both sides will be automatically obstructed with approximately 0.2ml freed. Coolant volume lost upon disconnection will rise with internal pressure higher than 0.5kgf/cm² (7psi).


General	
Weight	0.28 lb (0.13 kg)
Max No-Spill Pressure	0.5kgf/cm ² (7psi)
Max Pressure Tolerance @ 25° C	8kgf/cm ² (113.8psi)
Max Temperature Tolerance	80° C (176° F)
Min Pressure Tolerance @ 25° C	-1.0kgf/cm ² (-14psi)
Min Storage Temperature (*No Freezing)	-20° C (-4° F)
Seal Material	EPDM (Water/Glycol Liquids)
Wetted Materials	Brass, Nickel Plating, Stainless Steel, EPDM





REV	DATE	CONTENTS	REVD BY	CHKD BY	APPD BY

REVISION

NO.	DISCRIPTION			MATER'L	QUANTITY	REMARKS
	DECIMAL PLACES	INCHES	MILLIMETRES	UNIT	MM	ITEM QD4
	.XXX .XX .X	±.005 ±.010 ±.020	±0.1 ±0.3 ±0.5	SCALE	N/S	TITLE QD4-MS13X19 QD4-MS13X19-BK
DATE	BY	BY	APPRO BY	3RD ANGLE		CODE NO.
SONG				ANGULAR DIMENSIONS		DWG. NO.
				XX' XX.X'		PAGE
				SURFACE ROUGHNESS		
				.63 1.6		