

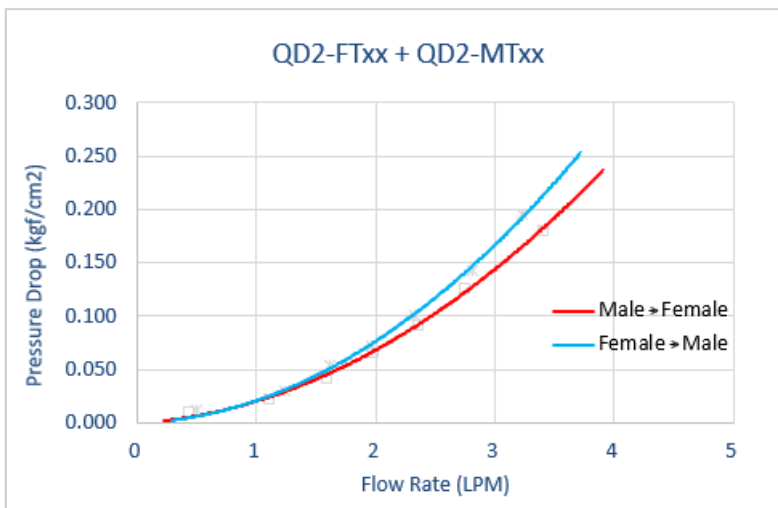
QD2 Male Quick Disconnect No-Spill Coupling, Compression for 06mm x 10mm (1/4in x 3/8in)

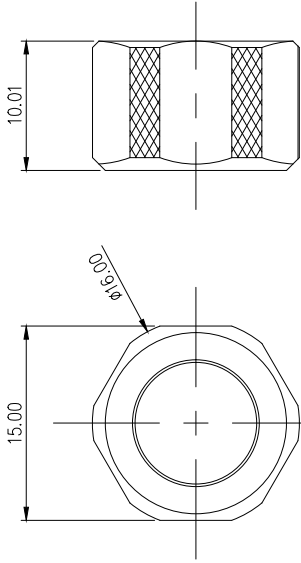


Koolance patented quick disconnect no-spill coupling with automatic shutoff. 6mm (1/4in) ID male straight connection with compression fitting. It will only fit a Koolance QD2 female quick disconnect.

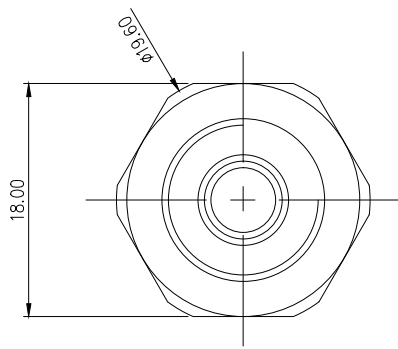
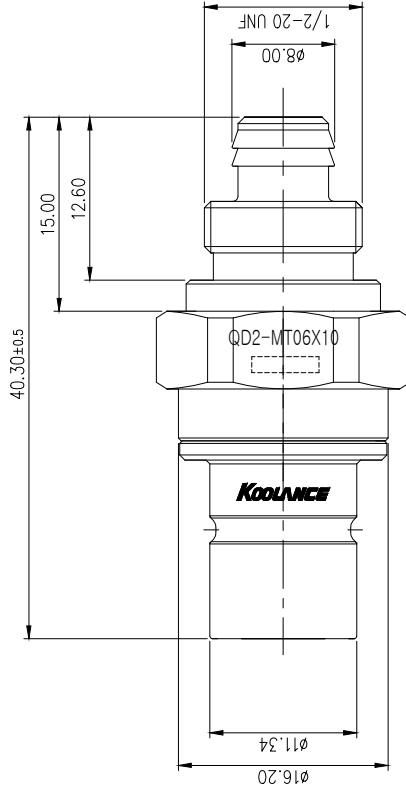
After pulling the ring on the female QDC side, the quick-disconnect fittings will separate. Liquid on both sides will be automatically obstructed with approximately 0.2ml freed. Coolant volume lost upon disconnection will rise with internal pressure higher than 0.5kgf/cm² (7psi).

General	
Weight	0.11 lb (0.05 kg)
Max No-Spill Pressure	0.5kgf/cm ² (7psi)
Max Pressure Tolerance @ 25°C	8kgf/cm ² (113.8psi) connected, 8kgf/cm ² (113.8psi) disconnected
Max Temperature Tolerance	80°C (176°F)
Min Pressure Tolerance @ 25°C	-1.0kgf/cm ² (-14psi)
Min Storage Temperature (*No Freezing)	-20°C (-4°F)
Seal Material	EPDM (Water/Glycol Liquids)
Wetted Materials	Nickel-Plated Brass, Stainless Steel, EPDM





Compression Nut



NO.	DESCRIPTION	MATER'L		QUANTITY	REMARKS
		UNIT	MM		
	KOOLANCE	SCALE	N/S	PART NO.	
DATE		BY	BY	TITLE	QD2-MT06X10
	DATE	BY	BY	3RD ANGLE	
	DATE	BY	BY	DWG. NO.	
	DATE	BY	BY	ITEM	QD2 Press-fit Type
	DATE	BY	BY	REV.	

REVISION			
REV	DATE	CONTENTS	REVD BY CHKD BY APPD BY