

QD3 Male Quick Disconnect No-Spill Coupling, Panel Barb for ID 10mm (3/8in)

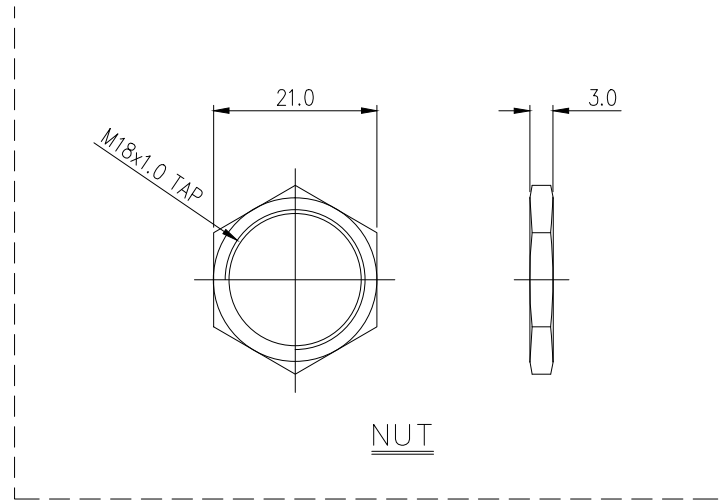
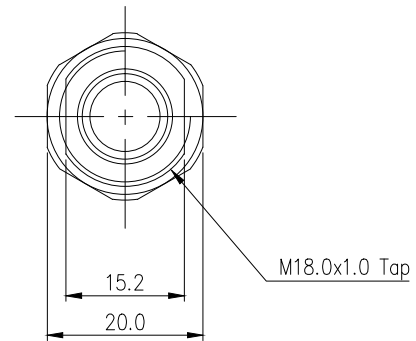
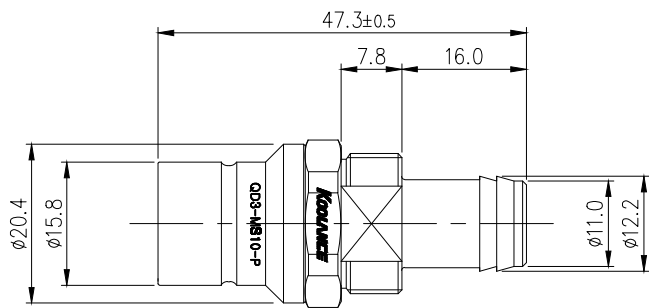


Koolance patented quick disconnect no-spill coupling with automatic shutoff. 10mm (3/8in) ID male panel-mountable barb fitting with spring clamp for 13mm (1/2in) OD. It will only fit a Koolance QD3 female quick disconnect.

After pulling the ring on the female QDC side, the quick-disconnect fittings will separate. Liquid on both sides will be automatically obstructed with approximately 0.2ml freed. Coolant volume lost upon disconnection will rise with internal pressure higher than 0.5kgf/cm² (7psi).

General	
Weight	0.13 lb (0.06 kg)
Max No-Spill Pressure	0.5kgf/cm ² (7psi)
Max Pressure Tolerance @ 25° C	8kgf/cm ² (113.8psi)
Max Temperature Tolerance	80° C (176° F)
Min Pressure Tolerance @ 25° C	-1.0kgf/cm ² (-14psi)
Min Storage Temperature (*No Freezing)	-20° C (-4° F)
Seal Material	EPDM (Water/Glycol Liquids)
Wetted Materials	Brass, Nickel Plating, Stainless Steel, EPDM





NUT

REV	DATE	CONTENTS	REVD BY	CHKD BY	APPD BY
REVISION					

NO.	DISCRIPTION				MATER'L	QUANTITY	REMARKS
KOLANCE	DECIMAL PLACES	INCHES	MILLIMETRES		UNIT	MM	ITEM QD3
	.XXX .XX .X	±.005 ±.010 ±.020	±0.1 ±0.3 ±0.5		SCALE	N/S	TITLE
DATE	BY	BY	BY	APPRO BY	3RD ANGLE		QD3-MS10-P
	SONG				ANGULAR DIMENSIONS	CODE NO.	DWG. NO.
					XX' XX.X'	±0.5' ±0.1'	PAGE
					SURFACE ROUGHNESS	SURFACE SURFACE SURFACE	
					.63	1.6	