

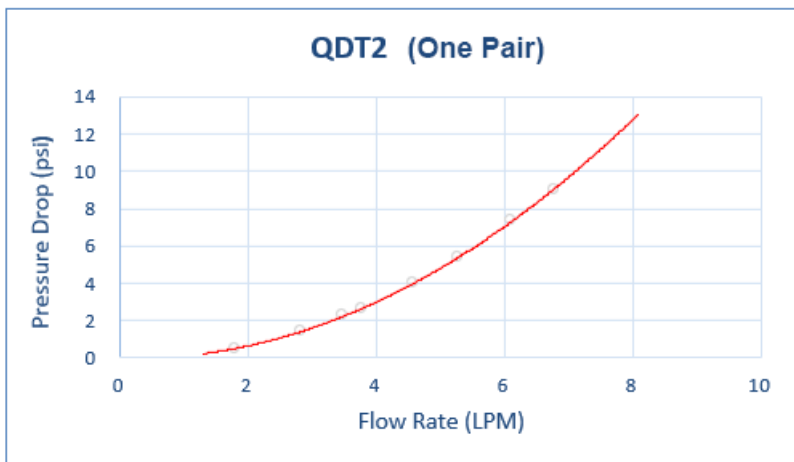
QDT2 Viton Male Quick Disconnect No-Spill Coupling, Panel Barb for ID 06mm (1/4in)

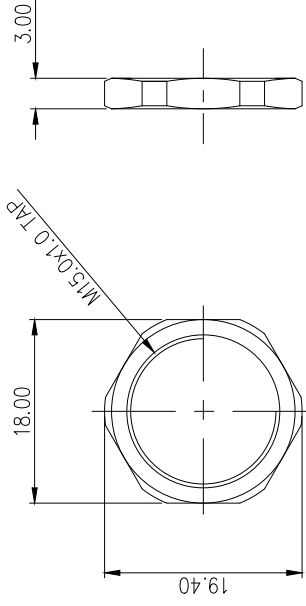


Koolance patented quick disconnect no-spill coupling with automatic shutoff. 6mm (1/4in) ID male panel-mountable barb fitting with spring clamp for 10mm (3/8in) OD. It will only fit a Koolance QDT2 female quick disconnect.

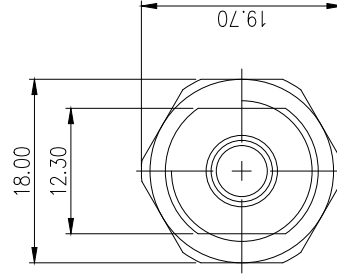
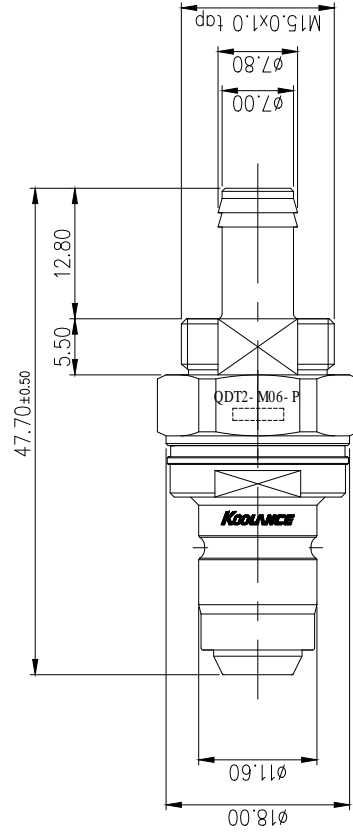
After pulling the ring on the female QDC side, the quick-disconnect fittings will separate. Liquid on both sides will be automatically obstructed with approximately 0.2ml freed.

General	
Weight	0.08 lb (0.04 kg)
Max No-Spill Pressure	10kgf/cm2 (142psi)
Max Pressure Tolerance @ 25°C	12kgf/cm2 (170.7psi)
Max Temperature Tolerance	80°C (176°F)
Min Pressure Tolerance @ 25°C	-1.0kgf/cm2 (-14psi)
Min Storage Temperature (*No Freezing)	-40°C (-40°F) Connected, -30°C (-22°F) Disconnected
Seal Material	Viton (Oil Liquids)
Wetted Materials	Chrome-Plated Brass, Stainless Steel, Viton





NUT



NO.	DESCRIPTION	MATER'L		QUANTITY	REMARKS
		UNIT	MM		
	Koolance	BY	BY	PART NO.	QDT2-M06-P
DATE		APPRO	BY	TITLE	DIMENSION
		BY	BY	3RD ANGLE	
		DATE	SONG	DWG. NO.	ITEM
					QDT2

REV	DATE	CONTENTS	REVISION	APPD BY