

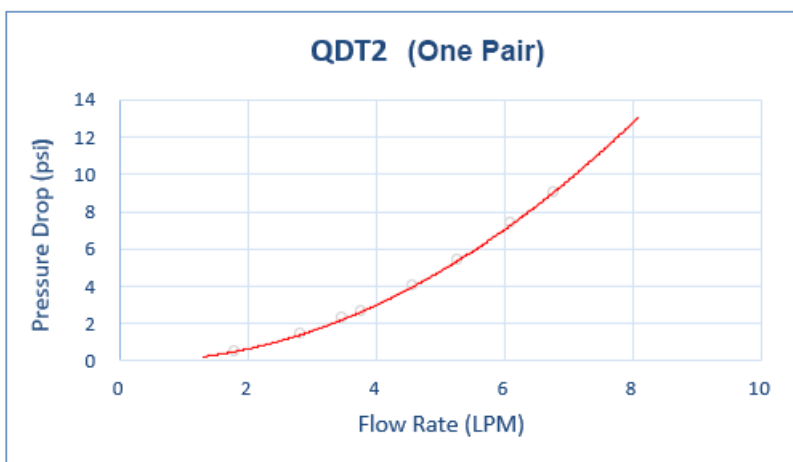
**QDT2 EPDM Male Quick Disconnect No-Spill Coupling, Male Threaded G 1/4 BSPP**

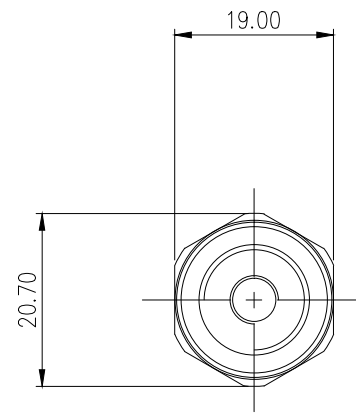
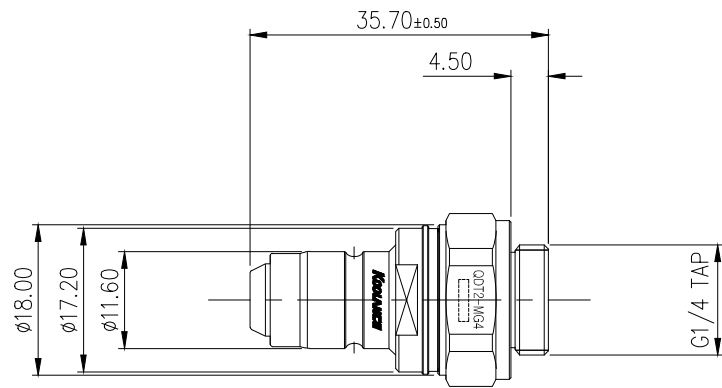


Koolance patented quick disconnect no-spill coupling with automatic shutoff. G 1/4 BSPP (parallel) thread male fitting for screwing directly into a water block or other component. It will only fit a Koolance QDT2 female quick disconnect.

After pulling the ring on the female QDC side, the quick-disconnect fittings will separate. Liquid on both sides will be automatically obstructed with approximately 0.2ml freed.

| General                                |   |
|--|---|
| Weight                                 | 0.08 lb (0.04 kg)                                   |
| Fitting Thread                         | G 1/4 BSPP  |
| Max No-Spill Pressure                  | 10kgf/cm2 (142psi)                                  |
| Max Pressure Tolerance @ 25°C          | 12kgf/cm2 (170.7psi)                                |
| Max Temperature Tolerance              | 80°C (176°F)  |
| Min Pressure Tolerance @ 25°C          | -1.0kgf/cm2 (-14psi)                                |
| Min Storage Temperature (*No Freezing) | -40°C (-40°F) Connected, -30°C (-22°F) Disconnected |
| Seal Material                          | EPDM (Water/Glycol Liquids)                         |
| Wetted Materials                       | Chrome-Plated Brass, Stainless Steel, EPDM          |





| REV | DATE | CONTENTS | APPD BY |
|-----|------|----------|---------|
|     |      |          |         |
|     |      |          |         |
|     |      |          |         |
|     |      |          |         |
|     |      |          |         |
|     |      |          |         |
|     |      |          |         |
|     |      |          |         |
|     |      |          |         |
|     |      |          |         |

| NO. | DESCRIPTION | MATER'L |     | QUANTITY  | REMARKS  |
|-----|-------------|---------|-----|-----------|----------|
|     |             | UNIT    | MM  | PART NO.  | QDT2-MG4 |
|     |             | SCALE   | N/S | TITLE     |          |
|     |             |         |     | DIMENSION |          |
|     |             |         |     | DWG. NO.  | ITEM     |
|     |             |         |     |           | QDT2     |



BY BY BY APPRO BY

3RD ANGLE

DATE

S.JLEE