

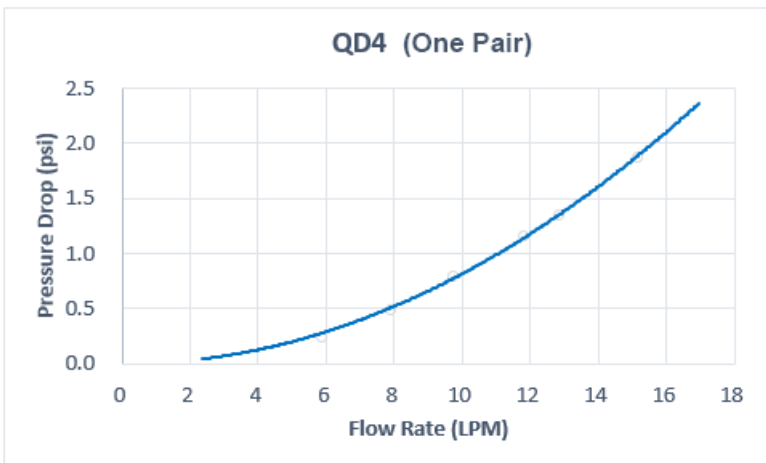
**QD4 Male Quick Disconnect No-Spill Coupling,
Male Threaded G 3/8 BSPP**

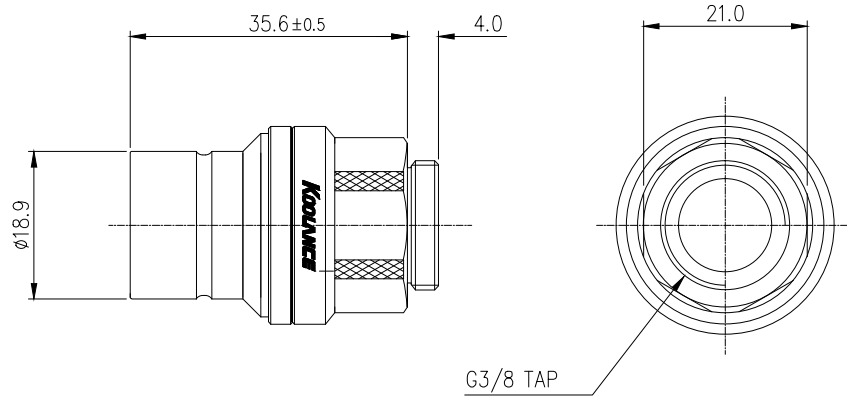


Koolance patented quick disconnect no-spill coupling with automatic shutoff. G 3/8 BSPP (parallel) thread male fitting for screwing directly into a water block or other component of same threading. It will only fit a Koolance QD4 female quick disconnect.

After pulling the ring on the female QDC side, the quick-disconnect fittings will separate. Liquid on both sides will be automatically obstructed with approximately 0.2ml freed. Coolant volume lost upon disconnection will rise with internal pressure higher than 0.5kgf/cm² (7psi).

General	
Weight	0.25 lb (0.11 kg)
Fitting Thread	G 3/8 BSPP
Max No-Spill Pressure	0.5kgf/cm ² (7psi)
Max Pressure Tolerance @ 25° C	8kgf/cm ² (113.8psi)
Max Temperature Tolerance	80° C (176° F)
Min Pressure Tolerance @ 25° C	-1.0kgf/cm ² (-14psi)
Min Storage Temperature (*No Freezing)	-20° C (-4° F)
Seal Material	EPDM (Water/Glycol Liquids)
Wetted Materials	Brass, Nickel Plating, Stainless Steel, EPDM





REV	DATE	CONTENTS	REVD BY	CHKD BY	APPD BY
REVISION					

NO.	DISCRIPTION				MATER'L	QUANTITY	REMARKS
KOOLANCE					DECIMAL PLACES	INCHES	MILLIMETRES
					.XXX	±.005	±0.1
					.XX	±.010	±0.3
					.X	±.020	±0.5
DATE	BY	BY	BY	APPRO BY	SCALE	N/S	TITLE
					3RD ANGLE		QD4-MSG8
							QD4-MSG8-BK
	SONG				CODE NO.	DWG. NO.	PAGE
					SURFACE ROUGHNESS	SURFACE	SURFACE
					.63	1.6	