

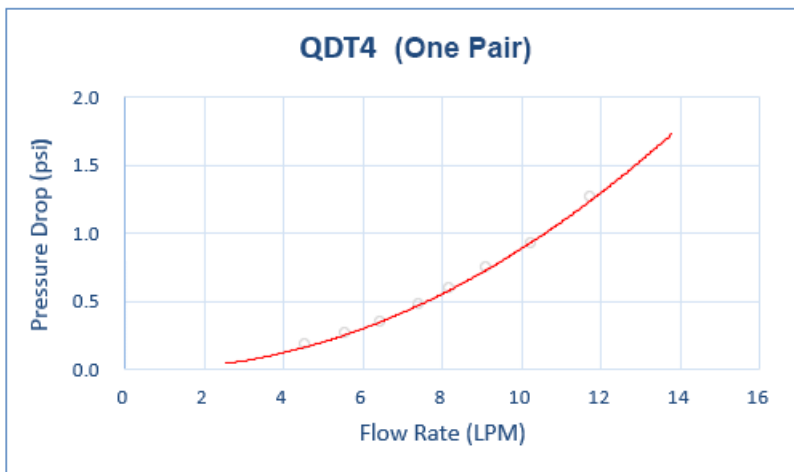
QDT4 Viton Male Quick Disconnect No-Spill Coupling, Male Threaded G 3/8 BSPP

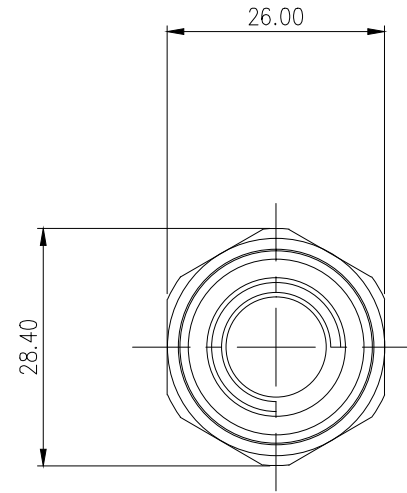
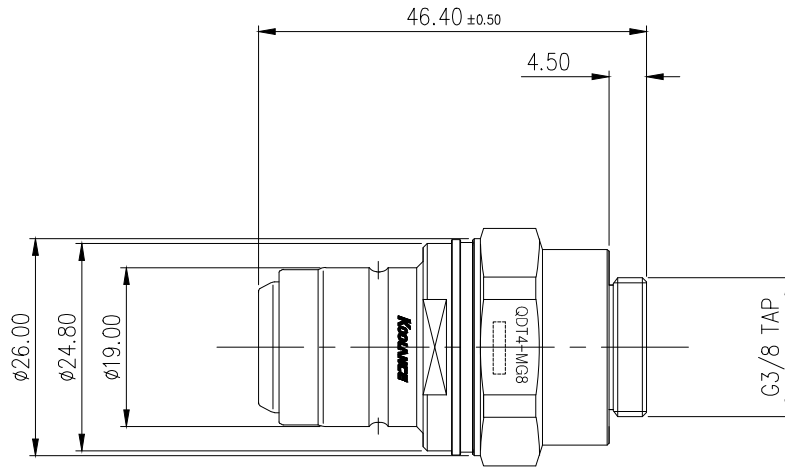


Koolance patented quick disconnect no-spill coupling with automatic shutoff. G 3/8 BSPP (parallel) thread male fitting for screwing directly into a water block or other component of same threading. It will only fit a Koolance QDT4 female quick disconnect.

After pulling the ring on the female QDC side, the quick-disconnect fittings will separate. Liquid on both sides will be automatically obstructed with approximately 0.2ml freed.

General	
Weight	0.25 lb (0.11 kg)
Fitting Thread	G 3/8 BSPP
Max No-Spill Pressure	10kgf/cm2 (142psi)
Max Pressure Tolerance @ 25 °C	12kgf/cm2 (170.7psi)
Max Temperature Tolerance	80 °C (176 °F)
Min Pressure Tolerance @ 25 °C	-1.0kgf/cm2 (-14psi)
Min Storage Temperature (*No Freezing)	-40°C (-40°F) Connected, -30°C (-22°F) Disconnected
Seal Material	Viton (Oil Liquids)
Wetted Materials	Chrome-Plated Brass, Stainless Steel, Viton





REV	DATE	CONTENTS	APPD BY

REVISION

NO.	DESCRIPTION	MATER'L		QUANTITY	REMARKS
		UNIT	MM	PART NO.	QDT4-MG8
		SCALE	N/S	TITLE	
				DIMENSION	
				DWG. NO.	ITEM
					QDT4



BY BY BY BY

DATE

S.JLEE

APPRO BY

3RD ANGLE

DWG. NO.

ITEM

QDT4