

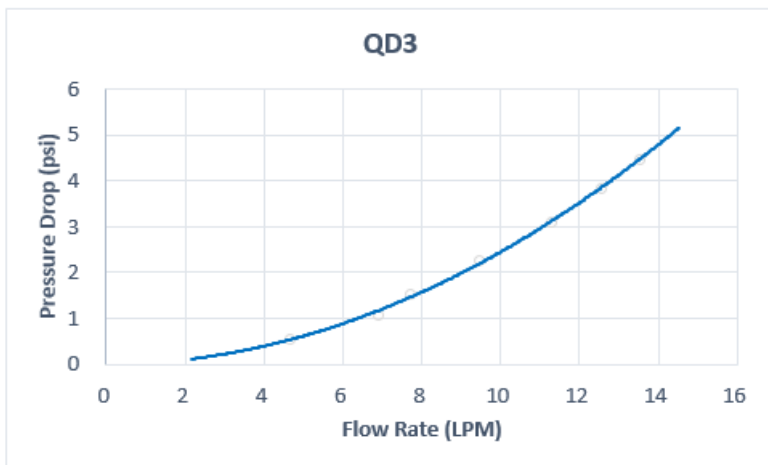
**QD3 Male Quick Disconnect No-Spill Coupling,
Male Threaded, 1/4 NPT (Refurb)**

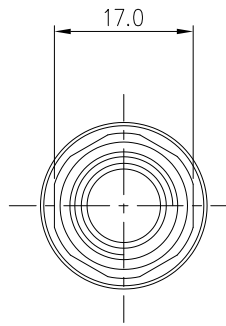
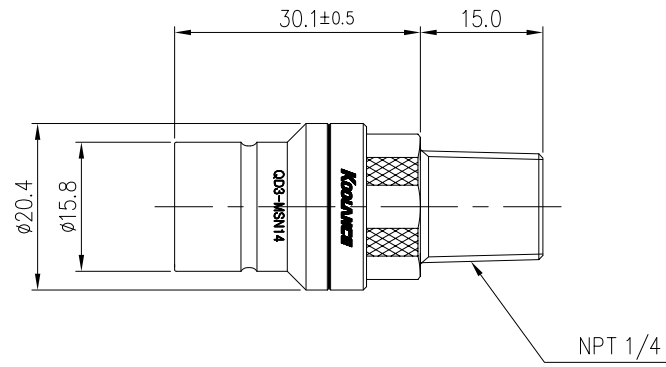


Koolance patented quick disconnect no-spill coupling with automatic shutoff. 1/4 NPT (tapered) threaded male fitting for screwing directly into a component of the same threading. It will only fit a Koolance QD3 female quick disconnect.

After pulling the ring on the female QDC side, the quick-disconnect fittings will separate. Liquid on both sides will be automatically obstructed with approximately 0.2ml freed. Coolant volume lost upon disconnection will rise with internal pressure higher than 0.5kgf/cm² (7psi).

| General | |
|--|--|
| Weight | 0.11 lb (0.05 kg) |
| Fitting Thread | NPT 1/4 |
| Max No-Spill Pressure | 0.5kgf/cm ² (7psi) |
| Max Pressure Tolerance @ 25° C | 8kgf/cm ² (113.8psi) |
| Max Temperature Tolerance | 80° C (176° F) |
| Min Pressure Tolerance @ 25° C | -1.0kgf/cm ² (-14psi) |
| Min Storage Temperature (*No Freezing) | -20° C (-4° C) |
| Seal Material | EPDM (Water/Glycol Liquids) |
| Wetted Materials | Brass, Nickel Plating, Stainless Steel, EPDM |





| REV | DATE | CONTENTS | REVD BY | CHKD BY | APPD BY |
|----------|------|----------|---------|---------|---------|
| | | | | | |
| REVISION | | | | | |

| NO. | DISCRIPTION | | | MATER'L | | QUANTITY | REMARKS |
|-------------------|-----------------|-------------------------|----------------------|-------------|--------------------|-----------------|-----------|
| | Koolance | DECIMAL PLACES | INCHES | MILLIMETRES | UNIT | MM | ITEM |
| .XXX .XX .X | | ±.005 ±.010 ±.020 | ±0.1 ±0.3 ±0.5 | SCALE | N/S | TITLE | QD3-MSN14 |
| DATE | BY | BY | BY | APPRO BY | ANGULAR DIMENSIONS | | 3RD ANGLE |
| | | | | | XX° XX.X° | ±0.5° ±0.1° | CODE NO. |
| | | | | | SURFACE ROUGHNESS | SURFACE SURFACE | DWG. NO. |
| | | | | | .63 | 1.6 | PAGE |