

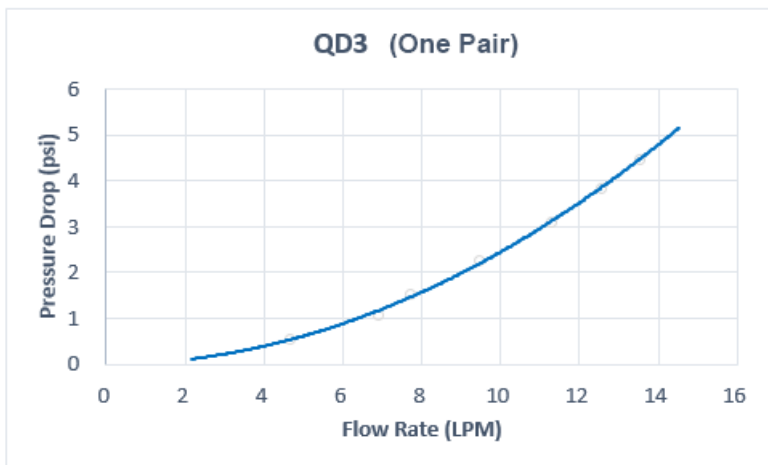
**QD3 Male Quick Disconnect No-Spill Coupling,  
Male Threaded, 1/4 NPT**

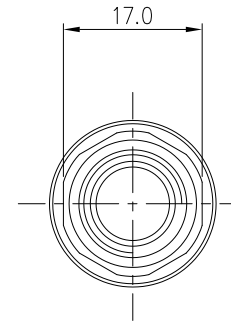
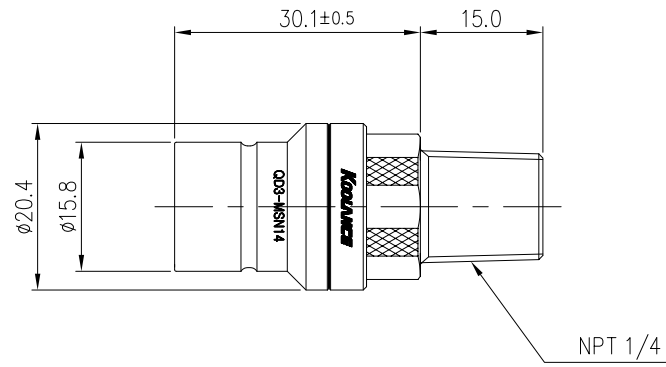


Koolance patented quick disconnect no-spill coupling with automatic shutoff. 1/4 NPT (tapered) threaded male fitting for screwing directly into a component of the same threading. It will only fit a Koolance QD3 female quick disconnect.

After pulling the ring on the female QDC side, the quick-disconnect fittings will separate. Liquid on both sides will be automatically obstructed with approximately 0.2ml freed. Coolant volume lost upon disconnection will rise with internal pressure higher than 0.5kgf/cm<sup>2</sup> (7psi).

General	
Weight	0.11 lb (0.05 kg)
Fitting Thread	NPT 1/4
Max No-Spill Pressure	0.5kgf/cm <sup>2</sup> (7psi)
Max Pressure Tolerance @ 25° C	8kgf/cm <sup>2</sup> (113.8psi)
Max Temperature Tolerance	80° C (176° F)
Min Pressure Tolerance @ 25° C	-1.0kgf/cm <sup>2</sup> (-14psi)
Min Storage Temperature (*No Freezing)	-20° C (-4° F)
Seal Material	EPDM (Water/Glycol Liquids)
Wetted Materials	Brass, Nickel Plating, Stainless Steel, EPDM





REV	DATE	CONTENTS	REVD BY	CHKD BY	APPD BY

NO.	DISCRIPTION			MATER'L		QUANTITY	REMARKS			
	<b>Koolance</b>			DECIMAL PLACES	INCHES	MILLIMETRES	UNIT	MM	ITEM	QD3 SHORT
				.XXX	±.005	±0.1	SCALE	N/S	TITLE	QD3-MSN14
		.XX	±.010	±0.3						
		.X	±.020	±0.5						
DATE	BY	BY	BY	APPRO BY	ANGULAR DIMENSIONS			3RD ANGLE		
	SONG				XX°	±0.5°		CODE NO.	DWG. NO.	PAGE
					XX.X°	±0.1°				
					SURFACE ROUGHNESS	SURFACE	SURFACE			
						.63	1.6			