

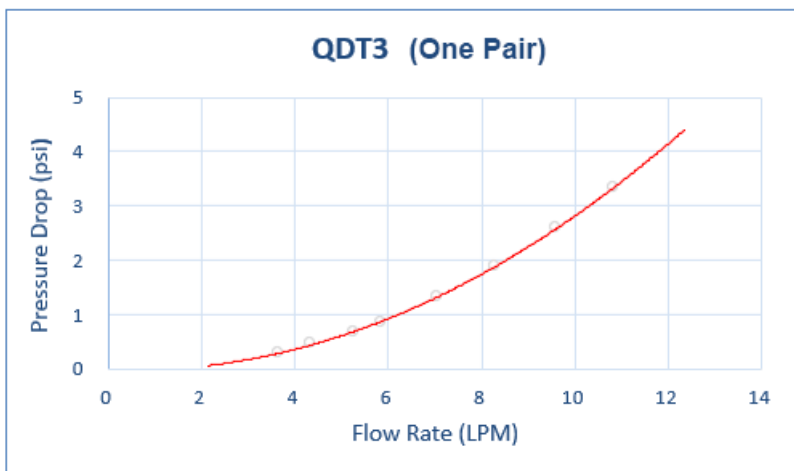
QDT3 EPDM Male Quick Disconnect No-Spill Coupling, Male Threaded, 1/4 NPT

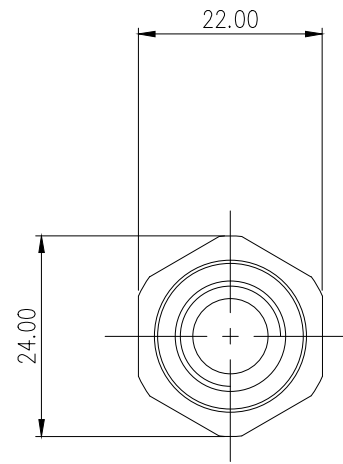
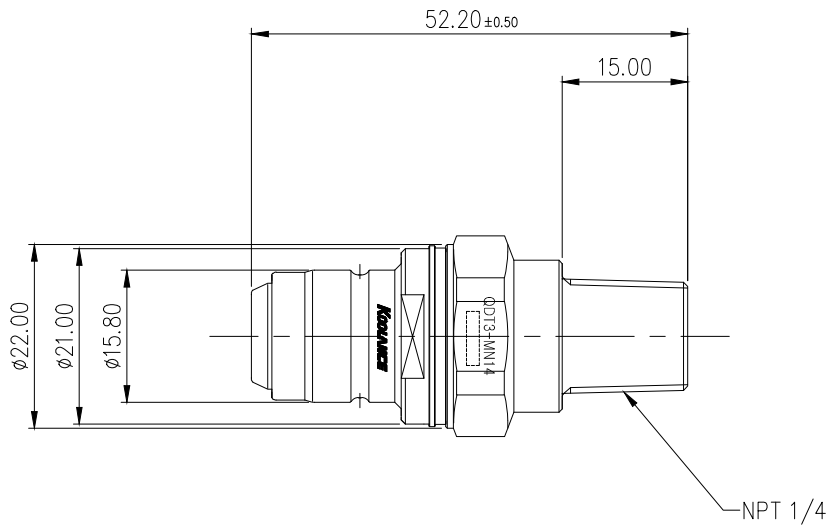


Koolance patented quick disconnect no-spill coupling with automatic shutoff. 1/4 NPT (tapered) threaded male fitting for screwing directly into a component of the same threading. It will only fit a Koolance QDT3 female quick disconnect.

After pulling the ring on the female QDC side, the quick-disconnect fittings will separate. Liquid on both sides will be automatically obstructed with approximately 0.2ml freed.

General	
Weight	0.11 lb (0.05 kg)
Fitting Thread	NPT 1/4
Max No-Spill Pressure	10kgf/cm2 (142psi)
Max Pressure Tolerance @ 25°C	12kgf/cm2 (170.7psi)
Max Temperature Tolerance	80°C (176°F)
Min Pressure Tolerance @ 25°C	-1.0kgf/cm2 (-14psi)
Min Storage Temperature (*No Freezing)	-40°C (-40°F) Connected, -30°C (-22°F) Disconnected
Seal Material	EPDM (Water/Glycol Liquids)
Wetted Materials	Chrome-Plated Brass, Stainless Steel, EPDM





REV	DATE	CONTENTS	APPD BY

NO.	DESCRIPTION	MATER'L	QUANTITY	REMARKS
		UNIT	MM	PART NO. QDT3-MN14
		SCALE	N/S	TITLE
		DATE	3RD ANGLE	DIMENSION
		DWG. NO.		ITEM
				QDT3



QDT3-MN14

NPT 1/4