

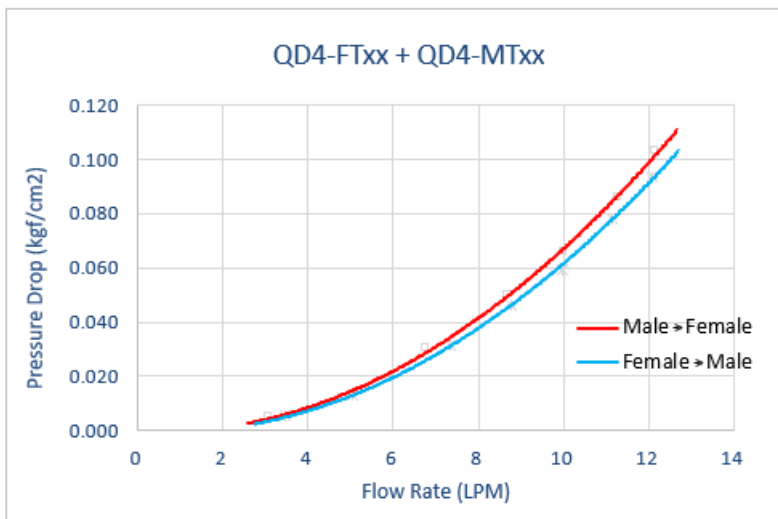
**QD4 Male Quick Disconnect No-Spill Coupling,
Male Threaded, 3/8 NPT**

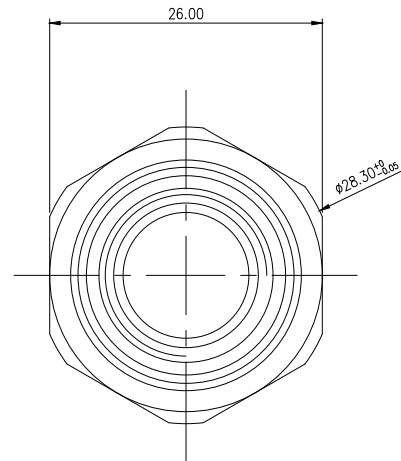
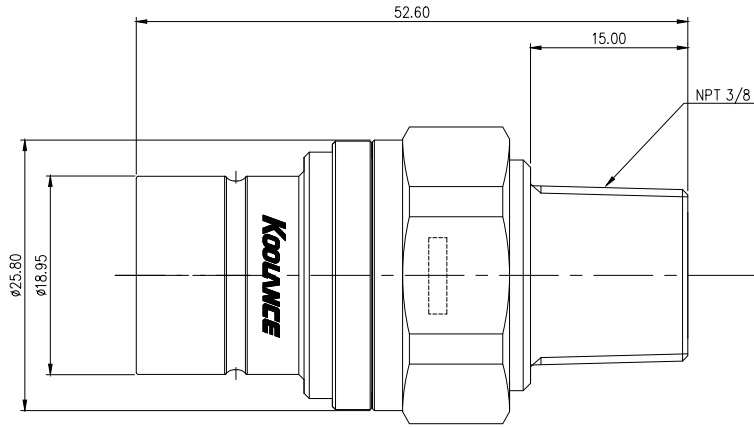


Koolance patented quick disconnect no-spill coupling with automatic shutoff. 3/8 NPT (tapered) thread male fitting for screwing directly into a component of the same threading. It will only fit a Koolance QD4 female quick disconnect.

After pulling the ring on the female QDC side, the quick-disconnect fittings will separate. Liquid on both sides will be automatically obstructed with approximately 0.2ml freed. Coolant volume lost upon disconnection will rise with internal pressure higher than 0.5kgf/cm² (7psi).

General	
Weight	0.25 lb (0.11 kg)
Fitting Thread	NPT 3/8
Max No-Spill Pressure	0.5kgf/cm ² (7psi)
Max Pressure Tolerance @ 25° C	8kgf/cm ² (113.8psi)
Max Temperature Tolerance	80° C (176° F)
Min Pressure Tolerance @ 25° C	-1.0kgf/cm ² (-14psi)
Min Storage Temperature (*No Freezing)	-20° C (-4° F)
Seal Material	EPDM (Water/Glycol Liquids)
Wetted Materials	Brass, Nickel Plating, Stainless Steel, EPDM





REV	DATE	CONTENTS	REVD BY	CHKD BY	APPD BY
REVISION					

NO.	DESCRIPTION				MATER'L	QUANTITY	REMARKS
					UNIT	MM	PART NO.
					SCALE	N/S	TITLE
	BY	BY	BY	APPRD BY	3RD ANGLE	QD4-MTN38	
DATE	2025.5.27	SONG			DWG. NO.	ITEM	REV.
						QD4 Press-fit Type	