

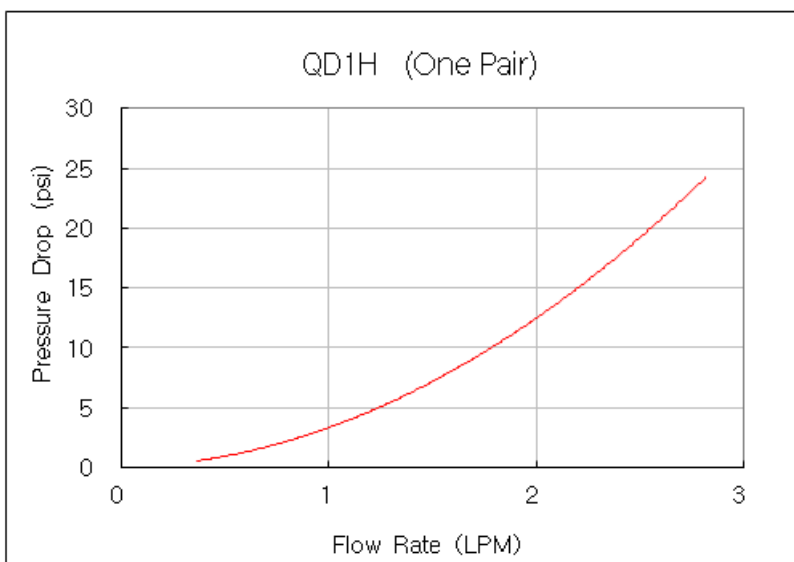
QD1H Female Quick Disconnect No-Spill Coupling, Male Threaded, G 1/4 BSPP

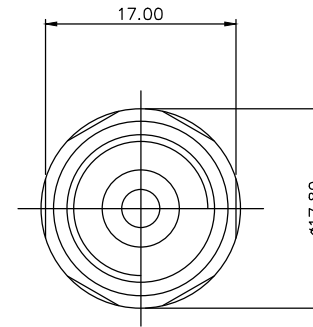
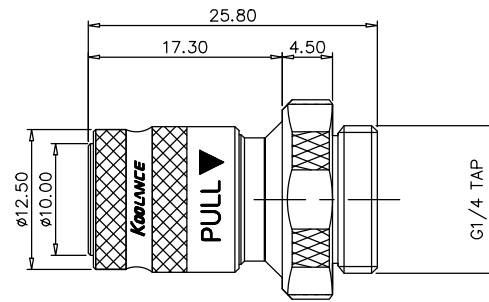


Koolance patented quick disconnect no-spill coupling with automatic shutoff. G 1/4 BSPP (parallel) threaded female fitting for screwing directly into a component of the same threading. It will only fit a Koolance QD1H male quick disconnect.

After pulling the ring on the female QDC side, the quick-disconnect fittings will separate. Liquid on both sides will be automatically obstructed with approximately 0.1ml freed. Coolant volume lost upon disconnection will rise with internal pressure higher than 10kgf/cm² (142psi).

General	
Weight	0.03 lb (0.01 kg)
Fitting Thread	G 1/4 BSPP
Max No-Spill Pressure	10kgf/cm ² (142psi)
Max Pressure Tolerance @ 25° C	12kgf/cm ² (170.7psi)
Max Temperature Tolerance	80° C (176° F)
Min Pressure Tolerance @ 25° C	-1.0kgf/cm ² (-14psi)
Min Storage Temperature (*No Freezing)	-20° C (-4° F)
Seal Material	EPDM (Water/Glycol Liquids)
Wetted Materials	Nickel-Plated Brass, Stainless Steel, EPDM





NO.	DESCRIPTION				MATER'L		QUANTITY	REMARKS
					UNIT	MM	PART NO. QD1H-FSG4	TITLE
					SCALE	N/S		
DATE	BY	BY	BY	APPRD BY	ASS'Y			
01.04.2020	Y.S.SHIN							REV.