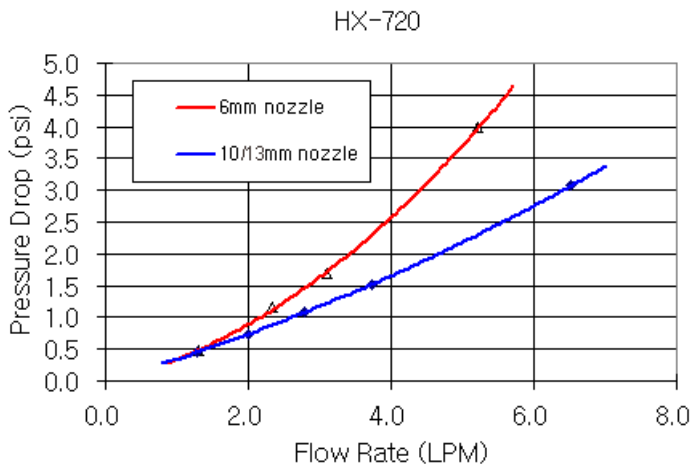


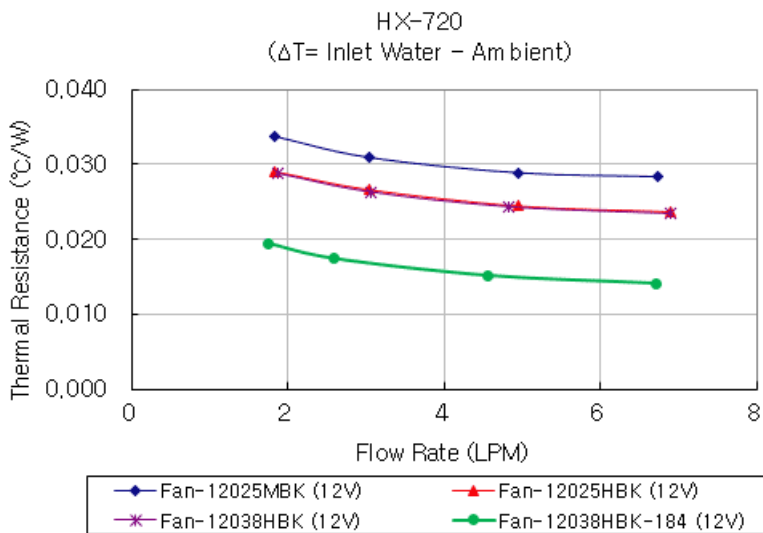
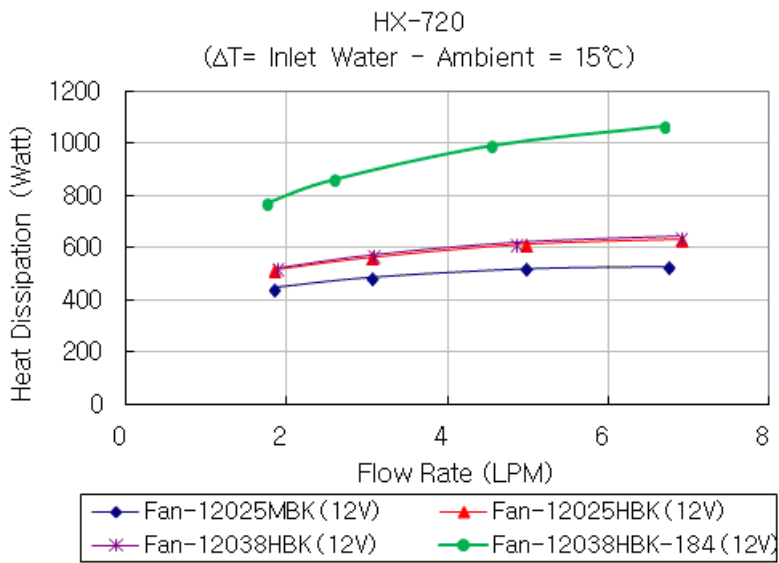
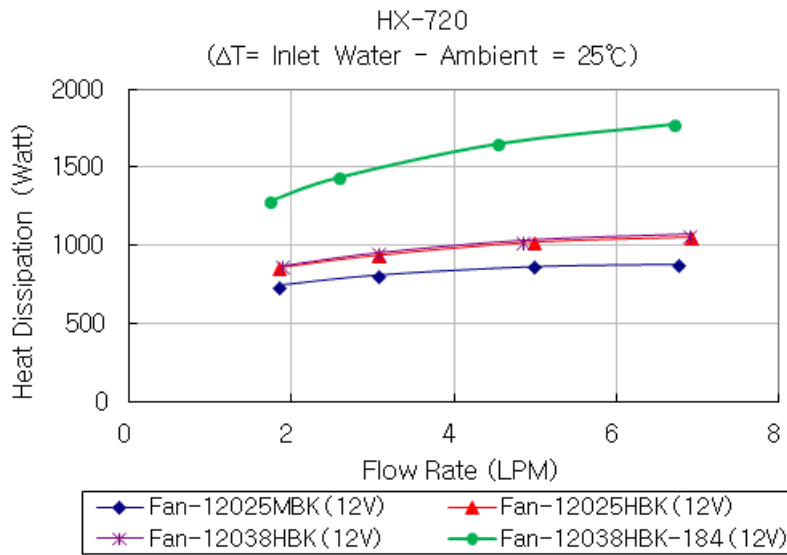
Radiator, 2x120mm 18-FPI Aluminum

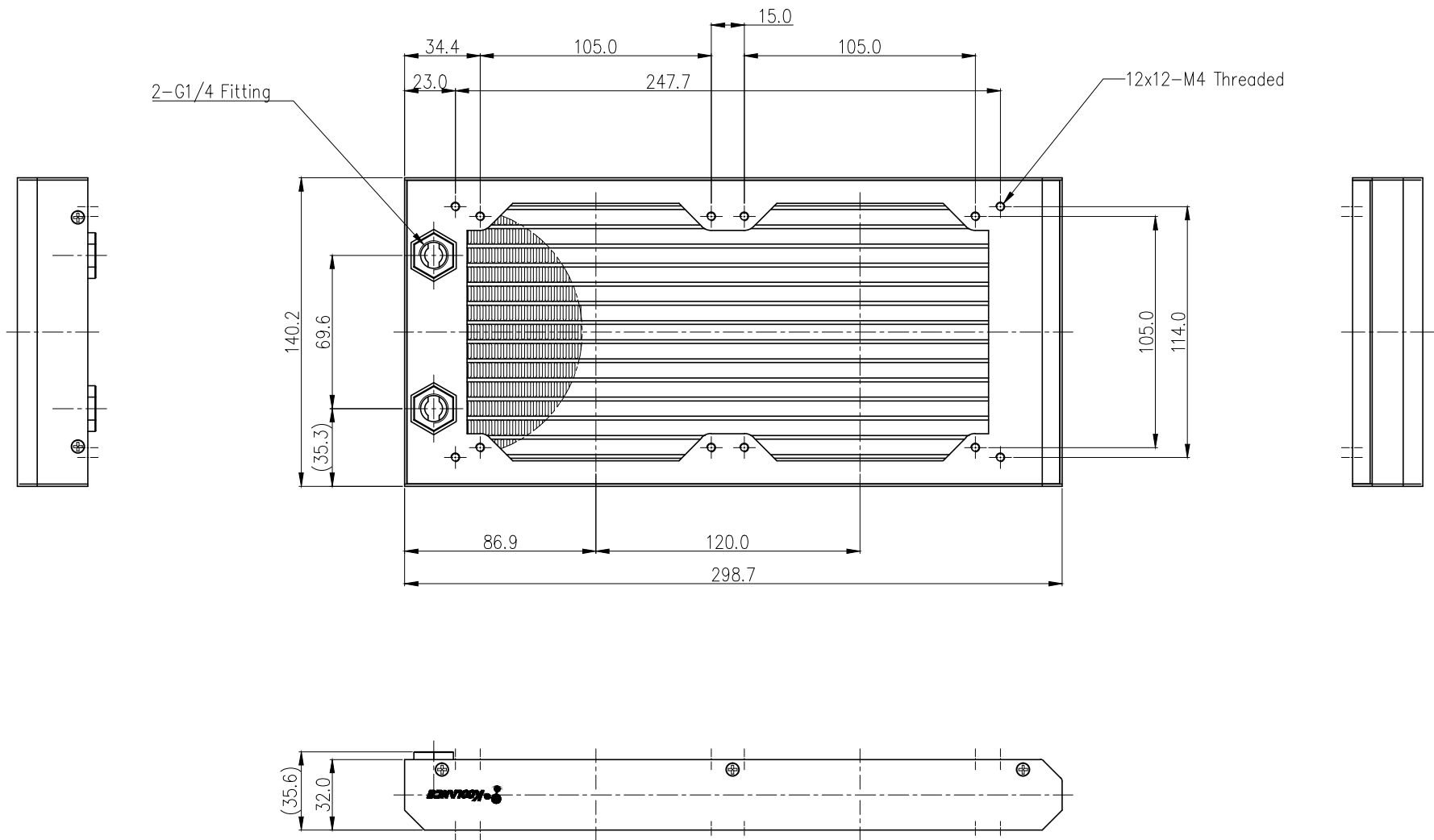


HX-720 is a low profile aluminum radiator designed for two 120mm fans. With a fin density of 18 FPI (fins per inch), it is optimized for quieter air flow ranges. It has a dual pass coolant design, and is G 1/4 BSPP (parallel) thread for hose fittings. 30mm (1.18") long mounting screws are included for 25mm thick fans (see Koolance [radiator screw packs](#) for additional options).

General	
Weight	2.60 lb (1.18 kg)
Fitting Thread	G 1/4 BSPP
Max Pressure Tolerance @ 25° C	20kgf/cm2 (284.5psi)
Max Temperature Tolerance	200° C (392° F)
Wetted Materials	Aluminum
Radiators	
Fan Capacity	2 x 120mm
Fins Per Inch (FPI)	18







NO.	DESCRIPTION				MATER'L		QUANTITY	REMARKS
					UNIT	MM		
	<b>KOOLANCE INC.</b>				SCALE	N/S	ITEM HX-720	TITLE Ass'y
DATE					BY	BY	BY	
	S.J.LEE				CODE NO.	DWG. NO.	PAGE	