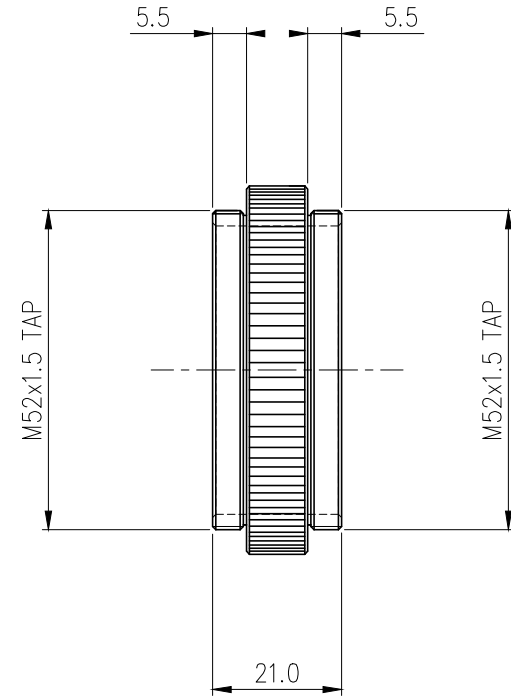
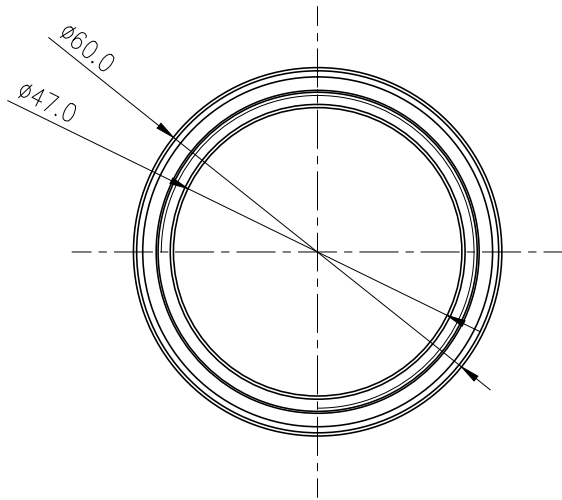




Male threaded coupling ring for connecting Koolance [60mm OD acrylic reservoir bodies](#) to one another. Acetal with dual EPDM O-rings.

General	
Weight	0.07 lb (0.03 kg)
Max Pressure Tolerance @ 25°C	2kg/cm2 (28.5psi)
Max Temp. Operating Tolerance	80°C (176°F)



NO.	DESCRIPTION	MATER'L		QUANTITY	REMARKS
		UNIT	MM	PART NO. TNK-CNT	
		SCALE	N/S	TITLE	
		3RD ANGLE		Ass'y	
DATE	BY	BY	BY	DWG. NO.	ITEM
05/09/2017	S.J.LEE				

