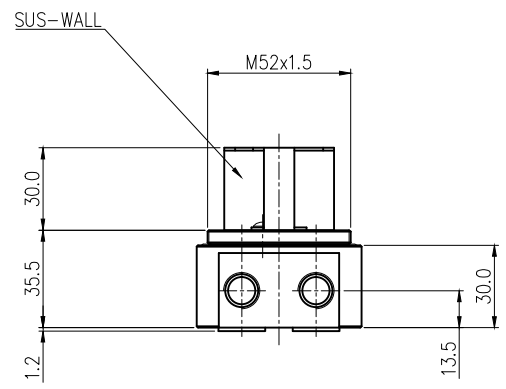
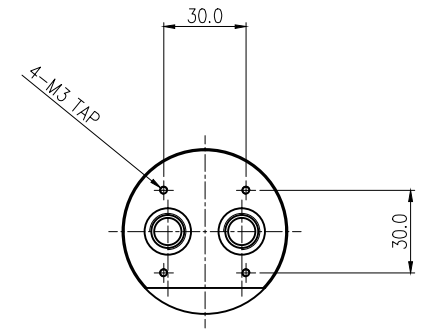
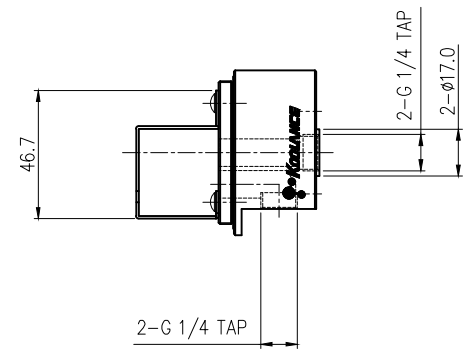
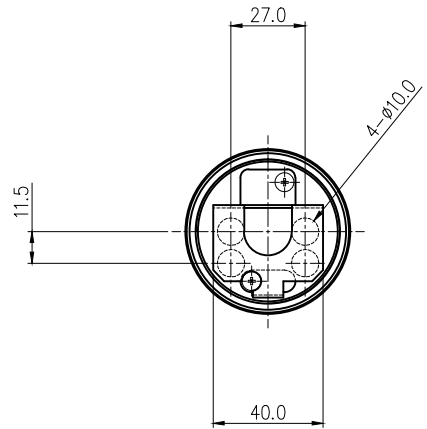




Acetal fitting base for Koolance [60mm OD reservoir bodies](#). Redundant inlet and outlets are provided for inline or parallel loops. Two nickel-plated brass socket plugs, a reservoir o-ring, and removable stainless steel partition are included.

| General | |
|-------------------------------|--------------------------------|
| Weight | 0.30 lb (0.14 kg) |
| Fitting Thread | G 1/4 BSPP |
| Max Pressure Tolerance @ 25°C | 2kgf/cm ² (28.5psi) |
| Max Temperature Tolerance | 80°C (176°F) |



| REV | DATE | CONTENTS | REVD BY | CHKD BY | APPD BY |
|-----|------|----------|---------|---------|---------|
| | | | | | |
| | | | | | |
| | | | | | |

| NO. | DESCRIPTION | MATER'L | QUANTITY | REMARKS |
|-----|-------------|---------|----------|-----------------|
| | | UNIT | MM | APPAR COV-TKBTM |
| | | SCALE | N/S | TITLE |
| | | DATE | | 3RD ANGLE |
| | | BY | | REF. NO. |
| | | BY | | DWG. NO. |
| | | BY | | |
| | | BY | | |



SUS-wall version Ass'y

S.J.LEE