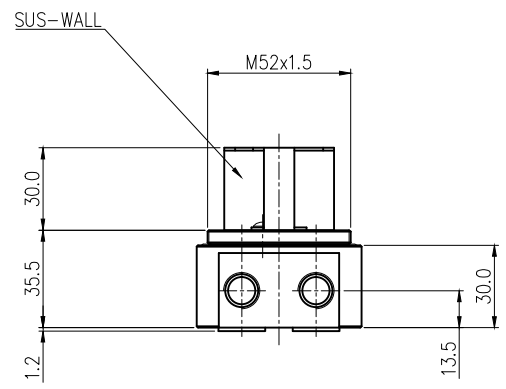
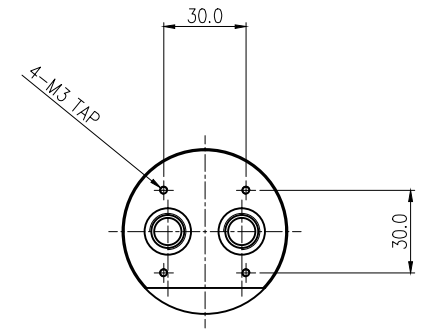
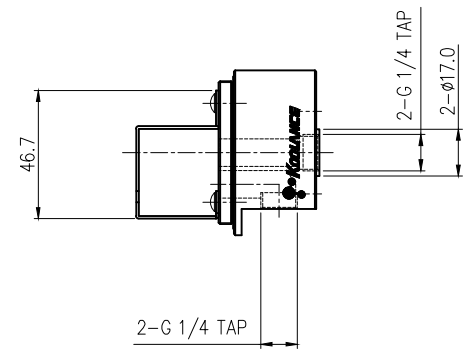
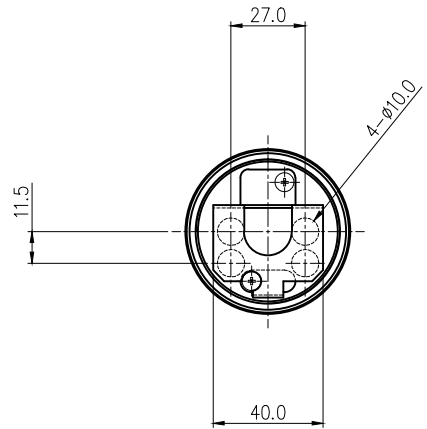




Acetal fitting base for Koolance [60mm OD reservoir bodies](#). Redundant inlet and outlets are provided for inline or parallel loops. Two nickel-plated brass socket plugs, a reservoir o-ring, and removable stainless steel partition are included.

General	
Weight	0.30 lb (0.14 kg)
Fitting Thread	G 1/4 BSPP
Max Pressure Tolerance @ 25°C	2kgf/cm2 (28.5psi)
Max Temperature Tolerance	80°C (176°F)



REV	DATE	CONTENTS	REVD BY	CHKD BY	APPD BY

NO.	DESCRIPTION	MATER'L	QUANTITY	REMARKS
		UNIT	MM	APPAR COV-TKBTM
		SCALE	N/S	TITLE
				SUS-wall version Ass'y
				3RD ANGLE
				REF. NO.
				DWG. NO.

**KODANCE** inc.

DATE  
BY S.J.LEE  
BY  
BY  
APPRO BY