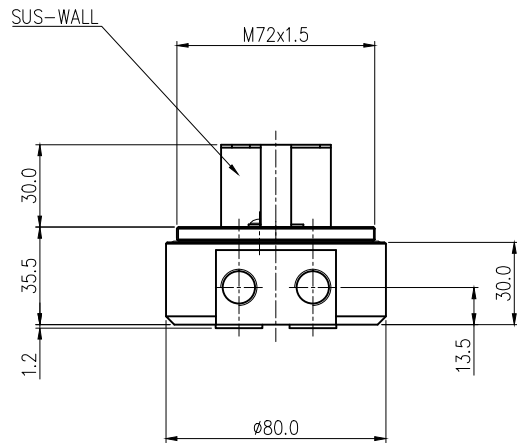
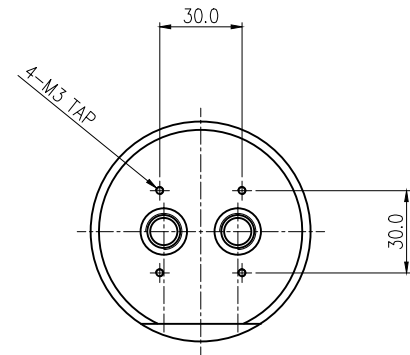
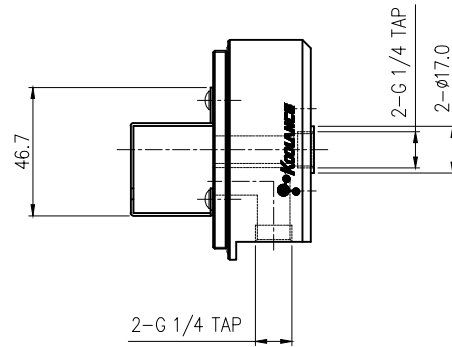
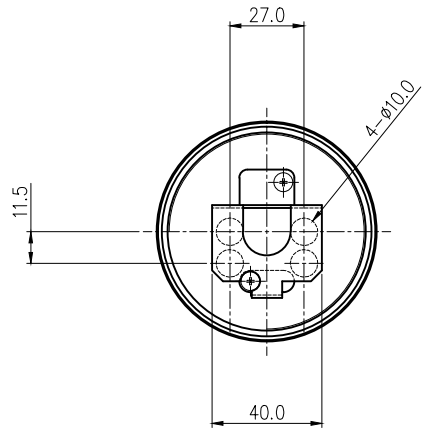




Acetal fitting base for Koolance [80mm OD reservoir bodies](#). Redundant inlet and outlets are provided for inline or parallel loops. Two nickel-plated brass socket plugs, a reservoir o-ring, and removable stainless steel partition are included.

General	
Weight	0.65 lb (0.29 kg)
Fitting Thread	G 1/4 BSPP
Max Pressure Tolerance @ 25 °C	2kgf/cm2 (28.5psi)
Max Temp. Operating Tolerance	80 °C (176 °F)



REV	DATE	CONTENTS	REVD BY	CHKD BY	APPD BY

REVISION

NO.	DESCRIPTION	MATER'L	QUANTITY	REMARKS
	<b>KOLANCE</b> <small>INC.</small>	UNIT	MM	APPAR COV-TKBTMX70
		SCALE	N/S	TITLE
	BY	BY	BY	APPRO BY
	DATE	3RD ANGLE		SUS-wall version Ass'y
	S.J.LEE	REF. NO.	DWG. NO.	