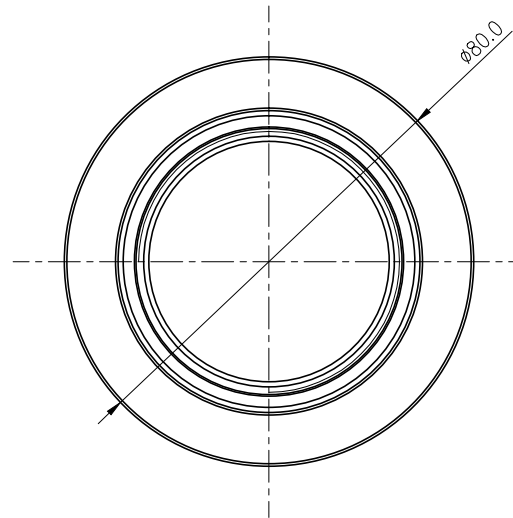
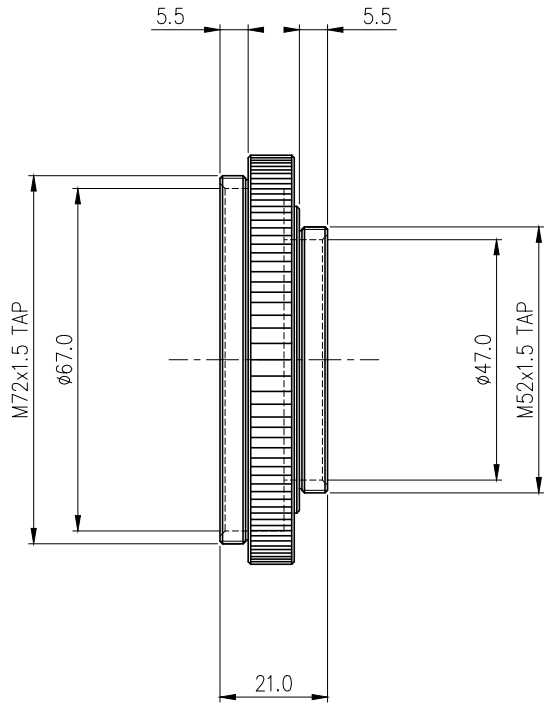


Reservoir Thread Adapter, Acetal (60mm to 80mm)



Male to male threaded adapter ring for combining Koolance [60mm OD reservoir components](#) with [80mm OD reservoir components](#). Acetal with dual EPDM O-rings.

General	
Weight	0.08 lb (0.04 kg)
Max Pressure Tolerance @ 25 °C	2kgf/cm ² (28.5psi)
Max Temperature Tolerance	80 °C (176 °F)



NO.	DESCRIPTION	MATER'L		QUANTITY	REMARKS
	KOOLANCE	UNIT	MM	PART NO. TNK-CNT50T70	
		SCALE	N/S	TITLE	
DATE	BY	BY	BY	APPRO BY	Ass'y
05/09/2017	S.J.LEE				
					3RD ANGLE
					DWG. NO.
					ITEM