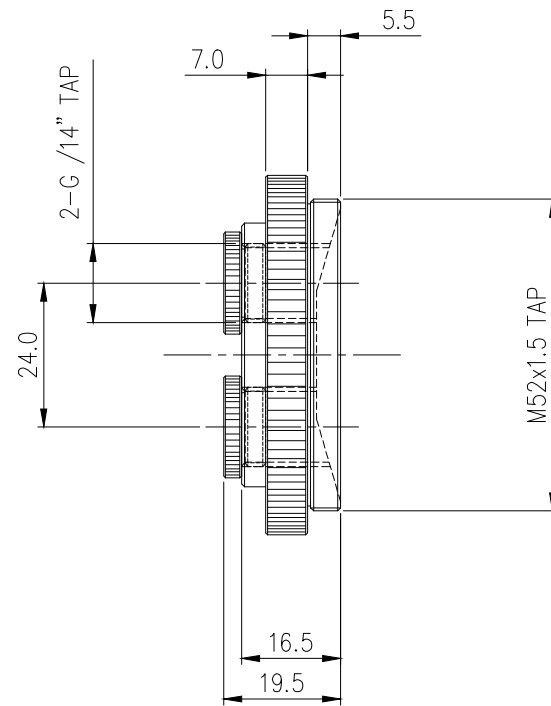
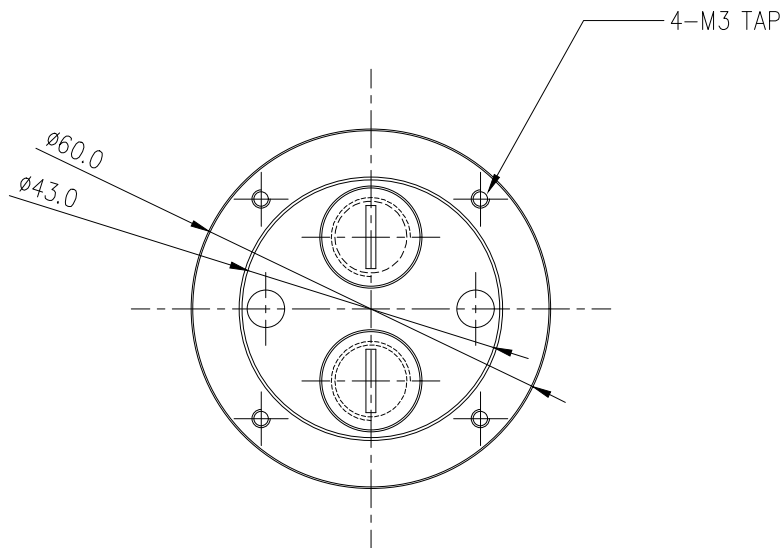


Reservoir Top with Dual Fill Ports (60mm OD)



Acetal reservoir top for Koolance [60mm OD reservoir bodies](#). Dual G 1/4 BSPP fill ports with nickel-plated brass plugs.

General	
Weight	0.16 lb (0.07 kg)
Fitting Thread	G 1/4 BSPP
Max Pressure Tolerance @ 25°C	2kgf/cm2 (28.5psi)
Max Temperature Tolerance	80°C (176°F)



NO.	DESCRIPTION				MATER'L		QUANTITY	REMARKS
					UNIT	MM	APPAR	COV-TKTOP2
					SCALE	N/S	TITLE	Ass'y
DATE	BY	BY	BY	APPRO	BY	3RD ANGLE		
	S.J.LEE					CODE NO.	DWG. NO.	