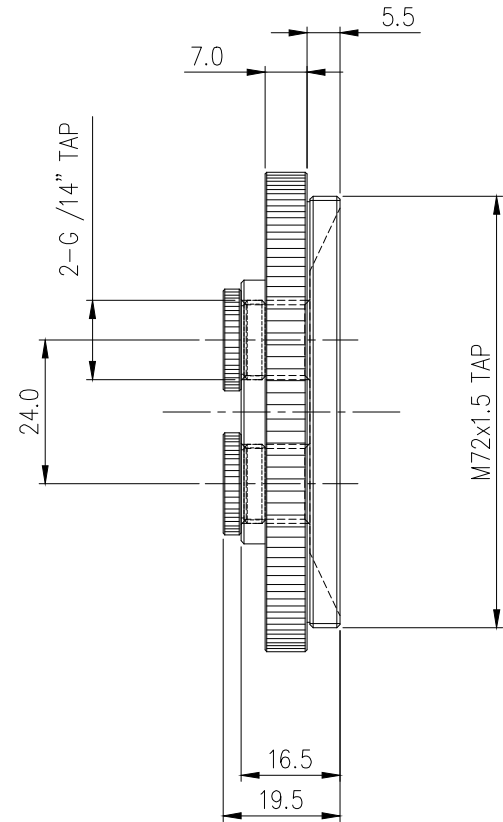
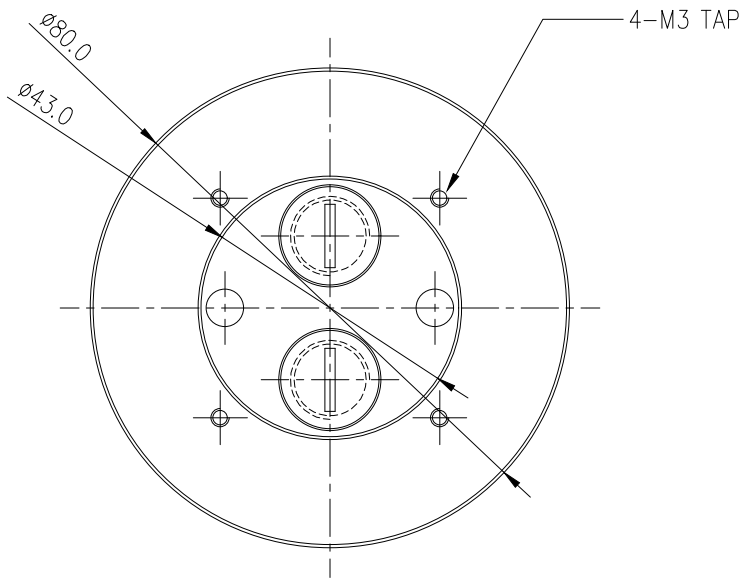


Reservoir Top with Dual Fill Ports (80mm OD)



Acetal reservoir top for Koolance [80mm OD reservoir bodies](#).
Dual G 1/4 BSPP fill ports with nickel-plated brass plugs.

General	
Weight	0.22 lb (0.10 kg)
Fitting Thread	G 1/4 BSPP
Max Pressure Tolerance @ 25 °C	2kgf/cm2 (28.5psi)
Max Temperature Tolerance	80 °C (176 °F)



NO.	DESCRIPTION				MATER'L		QUANTITY	REMARKS
	KOOLANCE				UNIT	MM	APPAR	COV-TKTOP2X70
					SCALE	N/S	TITLE	Ass'y
DATE	BY	BY	BY	APPRO	BY	3RD ANGLE		
	S.J.LEE					CODE NO.	DWG. NO.	