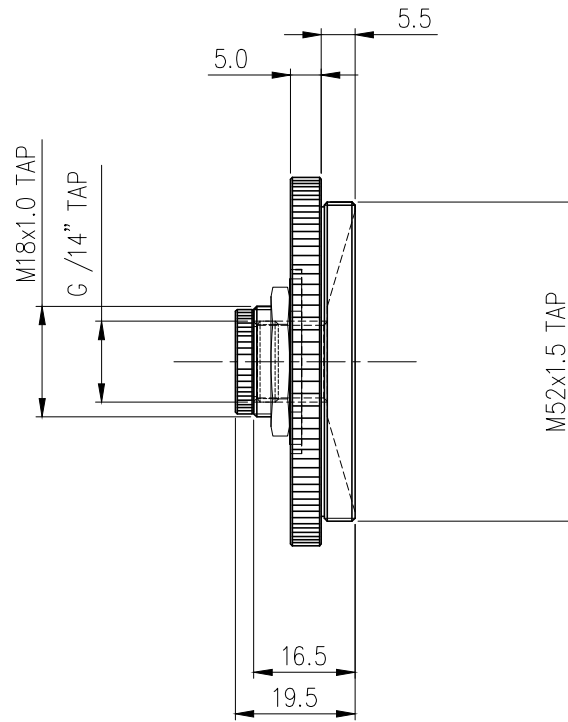
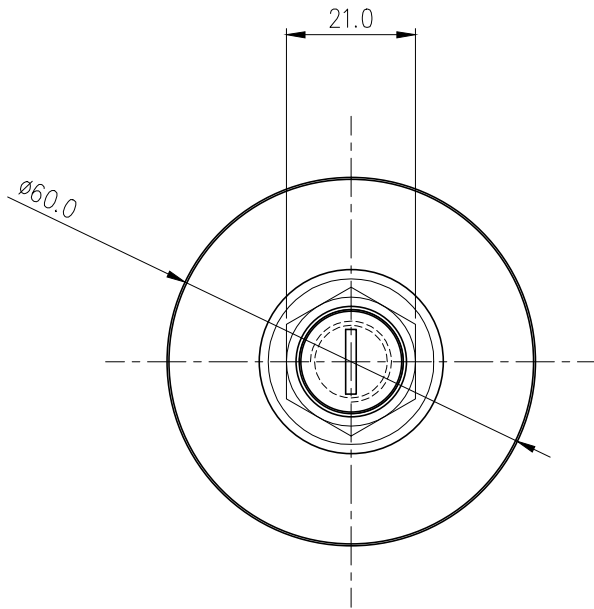


Reservoir Top with Fill Port (60mm OD)



Acetal reservoir top for Koolance [60mm OD reservoir bodies](#). Nickel-plated brass, G 1/4 BSPP (parallel) thread top fill port. Hex mounting nut and insulating washer included.

General	
Weight	0.10 lb (0.05 kg)
Fitting Thread	G 1/4 BSPP
Max Pressure Tolerance @ 25°C	2kgf/cm2 (28.5psi)
Max Temp. Operating Tolerance	80°C (176°F)



NO.	DESCRIPTION	MATER'L		QUANTITY	REMARKS
		UNIT	MM	APPAR	COV-TKTOP
		SCALE	N/S	TITLE	
		BY	BY	BY	BY
DATE		3RD ANGLE			
04/10/2017	S.J.LEE			CODE NO.	DWG. NO.



Ass'y