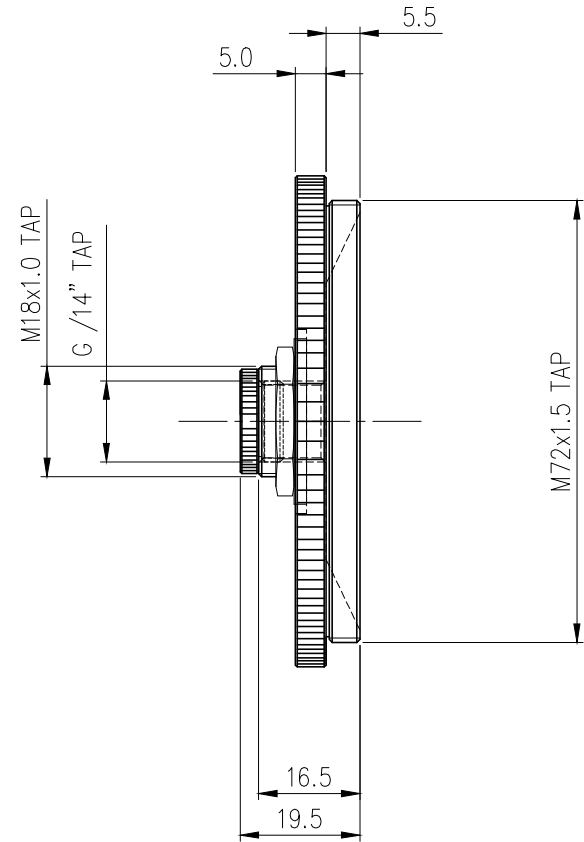
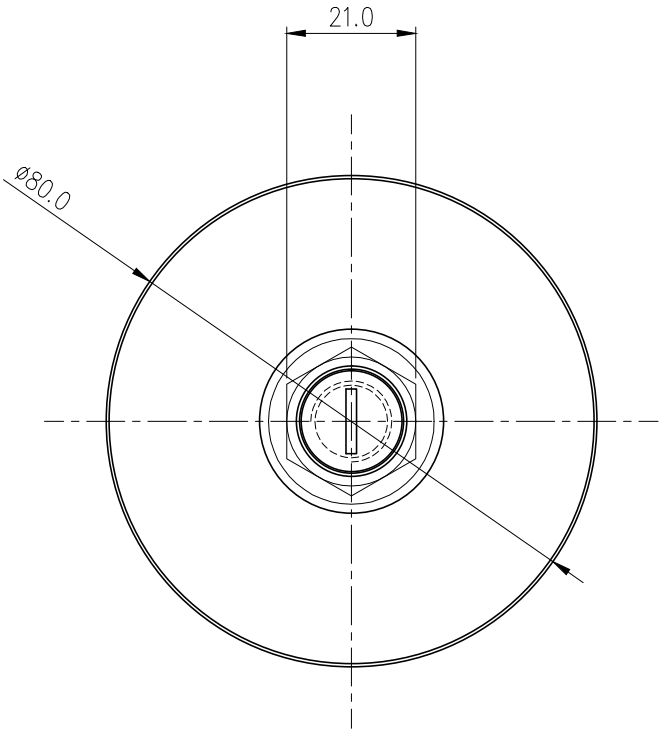




Acetal reservoir top for Koolance [80mm OD reservoir bodies](#). Nickel-plated brass, G 1/4 BSPP (parallel) thread top fill port. Hex mounting nut and insulating washer included.

General	
Weight	0.20 lb (0.09 kg)
Fitting Thread	G 1/4 BSPP
Max Pressure @ 25 °C	2kgf/cm <sup>2</sup> (28.5psi)
Max Temperature	80 °C (176 °F)



NO.	DESCRIPTION	MATER'L	QUANTITY	REMARKS
	<b>KOOLANCE</b>	UNIT	MM	APPAR COV-TKTOPX70
		SCALE	N/S	TITLE
DATE	BY	BY	BY	BY
04/10/2017	S.J.LEE			

Ass'y