

RP-452X2 Dual 5.25in Reservoir for 1-2 PMP-450/S Pumps, Rev.2.0

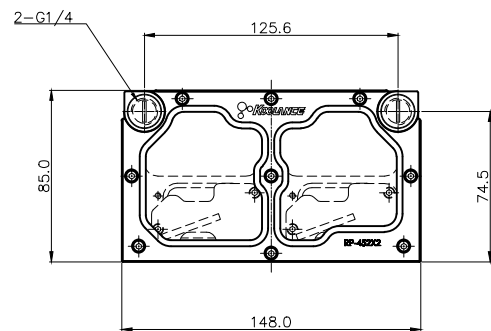
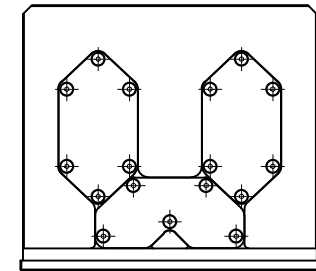
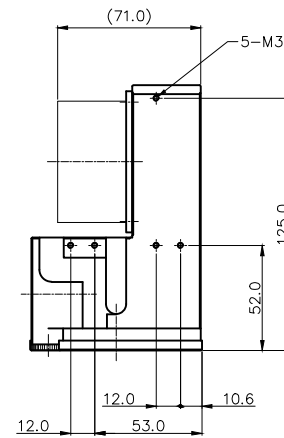
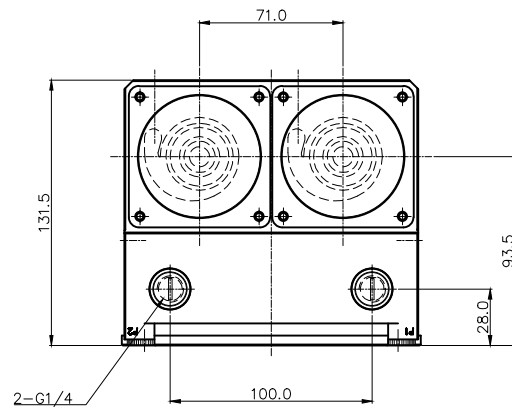
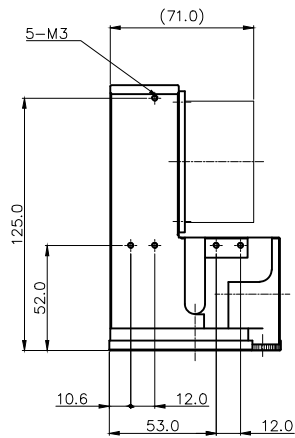
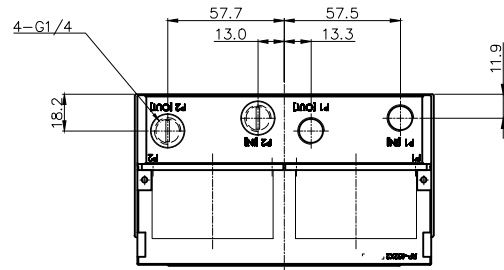


(Revision 2.0 includes a 180-degree copper pipe and acrylic bypass piece for optional serial installation.) Easily combine Koolance's highest flow pumps into dual or serial/redundant loops! RP-452X2 is a dual 5.25" bay reservoir designed for **one or two** Koolance [PMP-450](#) or [PMP-450S](#) pumps (not included). Using a convenient bottom plug, the front reservoirs can be separated or combined without disassembling the unit. Both front and top fill ports are available for each reservoir.

Machined from a solid piece of acetal for maximum reliability, the RP-452X2 has a thick acrylic window and front aluminum bezel. Two sets of G 1/4 BSPP (parallel) thread inlet and outlets appear on the back, designated "P1" and "P2" for each pump. If one pump is used, an acetal blocker is included to occupy the second pump location.

There are four pre-drilled holes for optional [3mm LEDs](#) around the acrylic window. CD bay mounting screws and pump attachment hardware are included. Capacity per reservoir = approx. 5.3 fl oz (158ml). Weight without pumps = 2.7 lbs (1.2kg). Total dimensions = 5.8" (14.8cm) W x 5.4" (13.6cm) L x 3.3" (8.5cm) H.

General	
Weight	2.75 lb (1.25 kg)
Fitting Thread	G 1/4 BSPP
Max Pressure Tolerance @ 25°C	1.5kgf/cm2 (21.3psi)
Max Temperature Tolerance	60°C (140°F)
Reservoirs	
Capacity	158mL (5.3 fl oz)



NO.	DESCRIPTION		MATER'L		QUANTITY	REMARKS
	KODANCE		UNIT	MM/INCH	APPAR	RP-452X2 Rev2.
			SCALE	N/S	TITLE	
DATE	BY	BY	BY	APPRO	BY	3RD ANGLE
05.27.2013	S.J.LEE					REF. NO.
						DWG. NO.

Ass'y