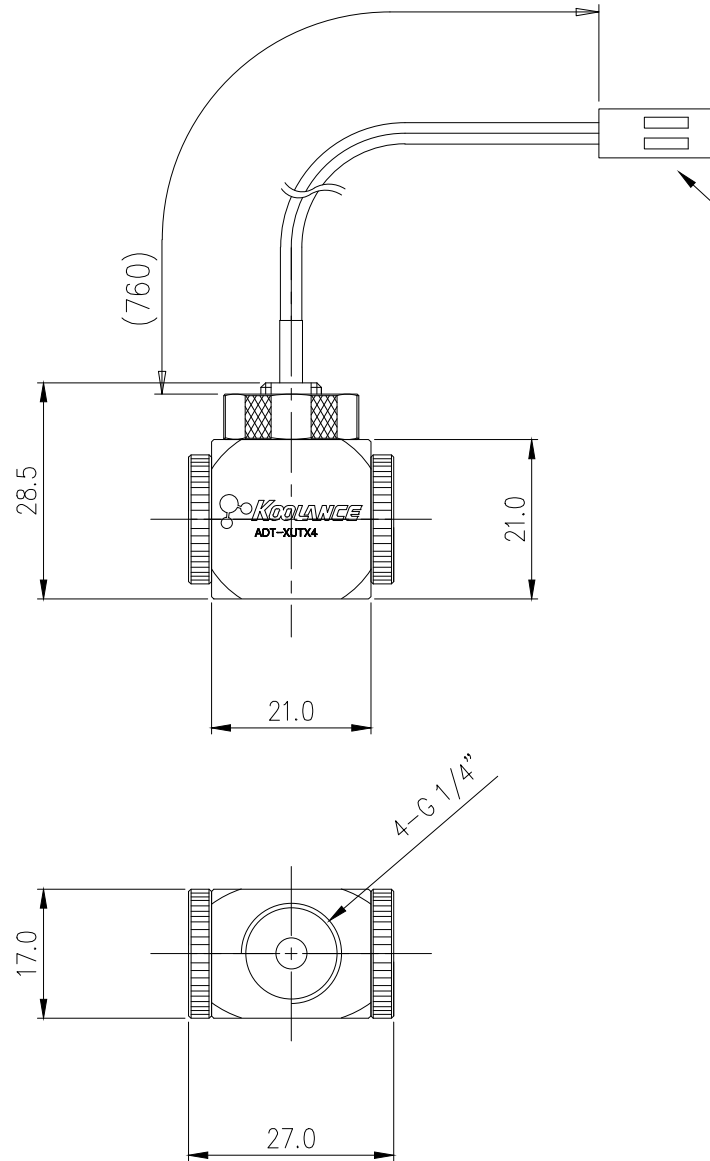


Coolant Temperature Sensor, Brass, 10K Ohm



Coolant thermistor temperature sensor with fitting body. This product is designed to be placed inline on any hose. Simply choose G 1/4 BSPP threaded fittings for the desired hose diameter. Wire length = 30" (76cm). Construction is nickel-plated brass. NOTE: This sensor will only work with Koolance products which use 10K Ohm @25°C sensors (first introduced in 2011).

General	
Weight	0.21 lb (0.10 kg)
Fitting Thread	G 1/4 BSPP
Max Temperature Tolerance	120°C (248°F)
Wetted Materials	Nickel-Plated Brass, Stainless Steel, EPDM



1x Housing : 6501-02 (Alex)  
 2x Pin : 65T (Alex)

NO.	DESCRIPTION	MATER'L	QUANTITY	REMARKS
	<b>Koolance</b>	UNIT	MM	ITEM SEN-AP008B
		SCALE	N/S	TITLE
	BY	BY	APPRO BY	3RD ANGLE
DATE				
APR.05.2021	S.J.LEE			
		CODE NO.	DWG. NO.	PAGE

Ass'y