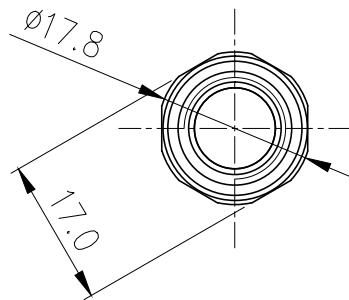
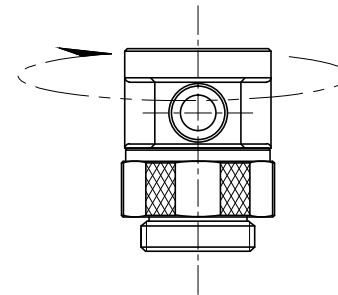
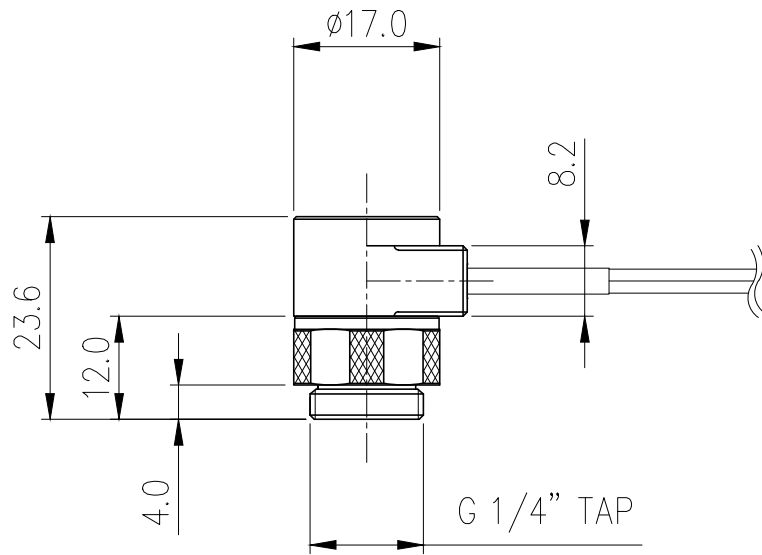
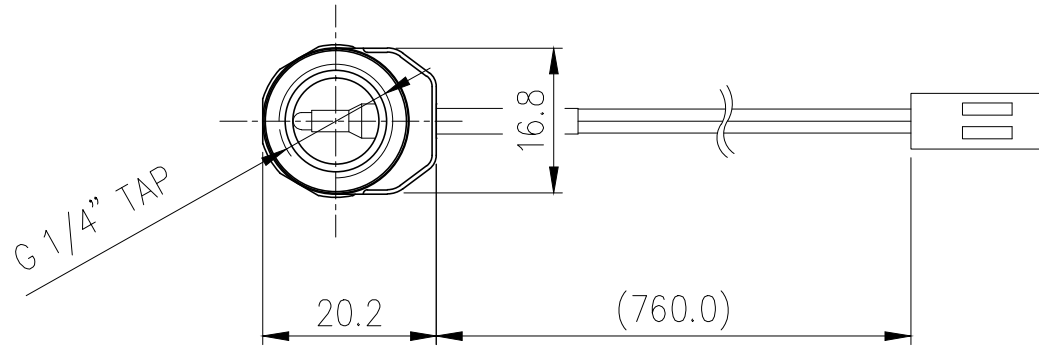




Coolant thermistor temperature sensor within a swiveling brass body. Male and female G 1/4 BSPP threads are provided on either end. Wire length = 30" (76cm). NOTE: This sensor will only work with Koolance products which use 10K Ohm @25°C sensors (first introduced in 2011).

| General             |                                 |
|---------------------|---------------------------------|
| Weight              | 0.13 lb (0.06 kg)               |
| Fitting Thread      | G 1/4 BSPP                      |
| Materials           | Nickel-Plated Brass, EPDM       |
| Max Pressure @ 25°C | 8kgf/cm <sup>2</sup> (113.8psi) |



| NO.        | DESCRIPTION     | MATER'L |     | QUANTITY              | REMARKS   |
|------------|-----------------|---------|-----|-----------------------|-----------|
|            | <b>KOOLANCE</b> | UNIT    | MM  | PART NO. SEN-TP010MFG |           |
|            |                 | SCALE   | N/S | TITLE                 |           |
| DATE       | BY              | BY      | BY  | APPRO BY              | 3RD ANGLE |
| 05/31/2017 | S.J.LEE         |         |     |                       | DWG. NO.  |
|            |                 |         |     |                       | ITEM      |

Ass'y