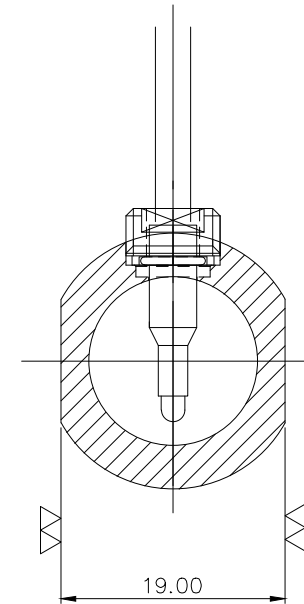
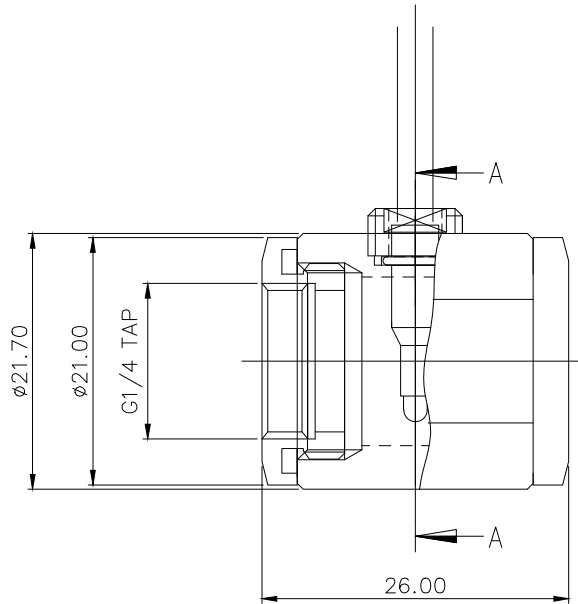





Coolant thermistor temperature sensor within nickel-plated brass body. G 1/4 BSPP threads are provided on both sides. Wire length = 30" (76cm). NOTE: This sensor will only work with Koolance products which use 10K Ohm @25° C sensors (first introduced in 2011).

General	
Weight	0.13 lb (0.06 kg)
Fitting Thread	G 1/4 BSPP
Materials	Brass, Nickel



SECTION A-A

NO.	DESCRIPTION	MATER'L		QUANTITY	REMARKS
		UNIT	MM	ITEM SEN-TPL010K	
		SCALE	N/S	TITLE	
DATE	BY	BY	BY	APPRO BY	Ass'y
12.17.2021	YS.SHIN				
				CODE NO.	DWG. NO.
					PAGE