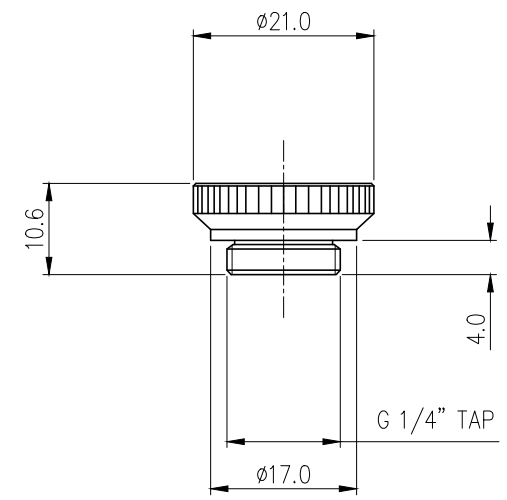
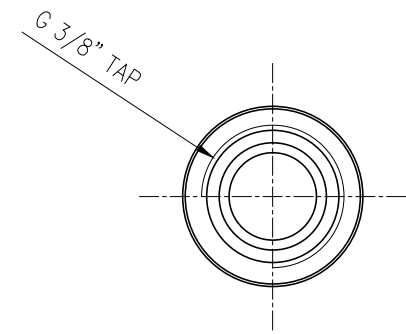


Thread Adapter, G 1/4 Male to G 3/8 Female



Thread adapter from G 1/4 BSPP (male) to G 3/8 BSPP (female).

General	
Weight	0.10 lb (0.05 kg)
Fitting Thread	G 1/4 BSPP, G 3/8 BSPP
Max Pressure Tolerance @ 25° C	15kgf/cm2 (213.4psi)
Max Temperature Tolerance	120° C (248° F)
Wetted Materials	Brass, Nickel Plating, EPDM



NO.	DESCRIPTION	MATER'L	QUANTITY	REMARKS
	KOOLANCE	UNIT	MM	APPAR ADT-G4FG8M
		SCALE	N/S	TITLE
DATE	BY	BY	APPRO BY	3RD ANGLE
04/06/2017	S.J.LEE			DWG. NO.

Ass'y