

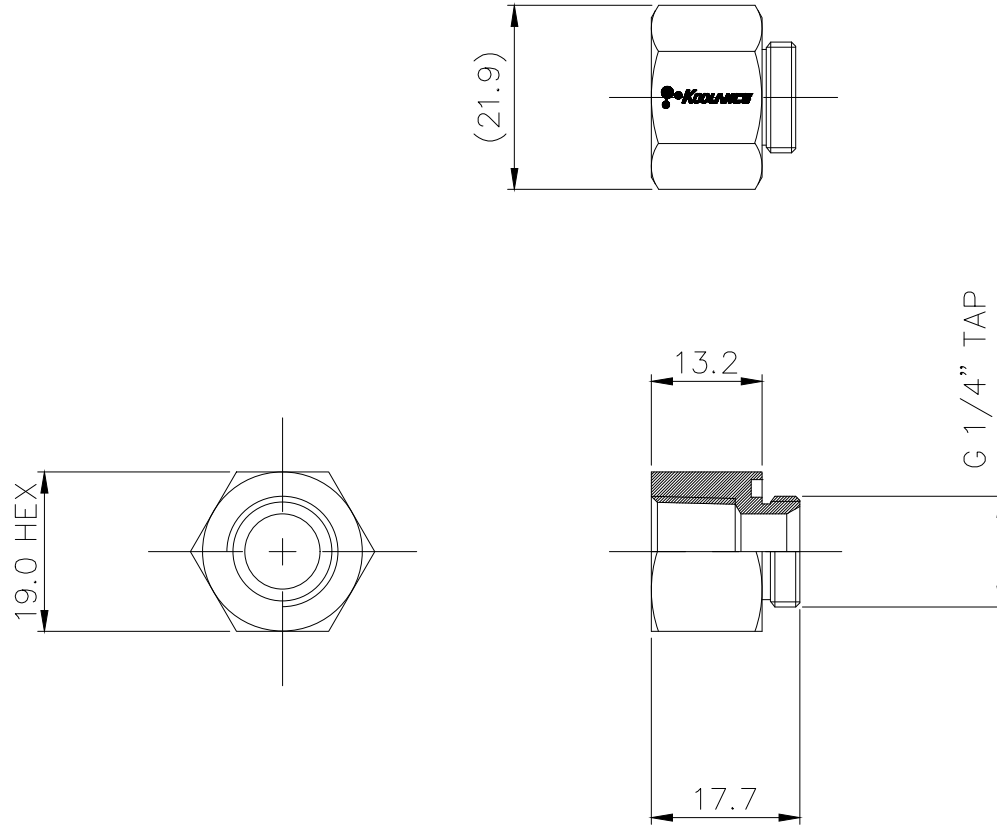
P/N: ADT-G14M-N14F-SS

Thread Adapter, G 1/4 Male to NPT 1/4 Female, Stainless Steel



Thread adapter from G 1/4 BSPP (male) to NPT 1/4 (female).

| General | |
|-------------------------------|----------------------------------|
| Weight | 0.09 lb (0.04 kg) |
| Fitting Thread | G 1/4 BSPP, NPT 1/4 |
| Max Pressure Tolerance @ 25°C | 15kgf/cm ² (213.4psi) |
| Max Temperature Tolerance | 120°C (248°F) |
| Wetted Materials | SUS 316, EPDM |



| NO. | DESCRIPTION | | | | MATER'L | | QUANTITY | REMARKS |
|------------|-------------|----|----|----------|-----------|----------|------------------------|---------|
| | | | | | UNIT | MM | APPAR ADT-G14M-N14F-SS | |
| | | | | | SCALE | N/S | TITLE | |
| DATE | BY | BY | BY | APPRD BY | 3RD ANGLE | | | Ass'y |
| 05/13/2024 | S.J.LEE | | | | CODE NO. | DWG. NO. | | |