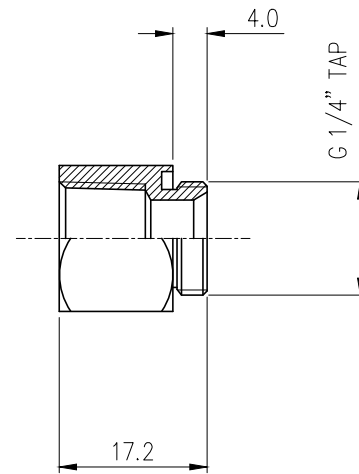
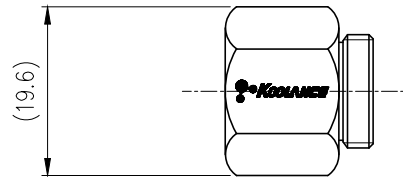
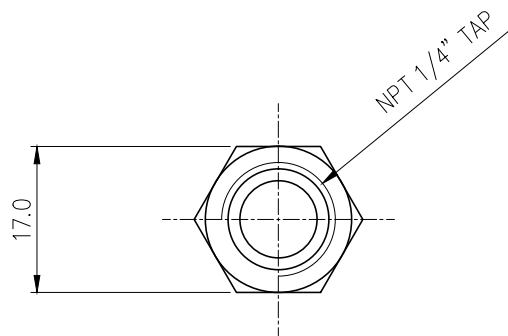


## Thread Adapter, G 1/4 Male to NPT 1/4 Female



Thread adapter from G 1/4 BSPP (male) to NPT 1/4 (female).

General	
Weight	0.09 lb (0.04 kg)
Fitting Thread	G 1/4 BSPP, NPT 1/4
Max Pressure Tolerance @ 25 °C	15kgf/cm2 (213.4psi)
Max Temperature Tolerance	120 °C (248 °F)
Wetted Materials	Brass, Nickel Plating, EPDM



NO.	DESCRIPTION	MATER'L		QUANTITY	REMARKS
	<b>KOOLANCE</b>	UNIT	MM	APPAR	ADT-G14M-N14F
		SCALE	N/S	TITLE	
DATE	BY	BY	BY	APPRO BY	3RD ANGLE
04/06/2017	S.J.LEE				DWG. NO.
					Ass'y