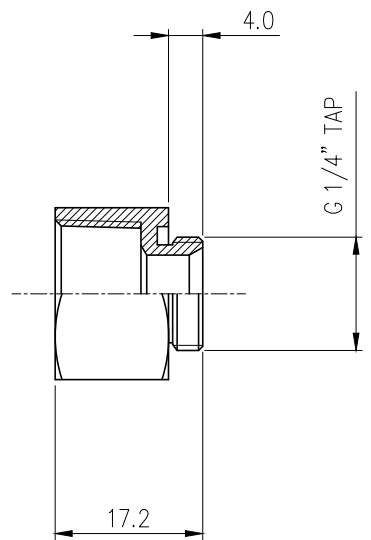
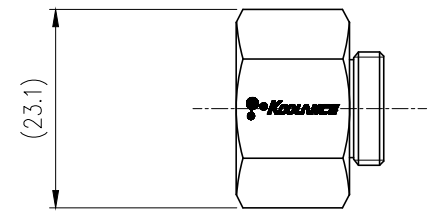
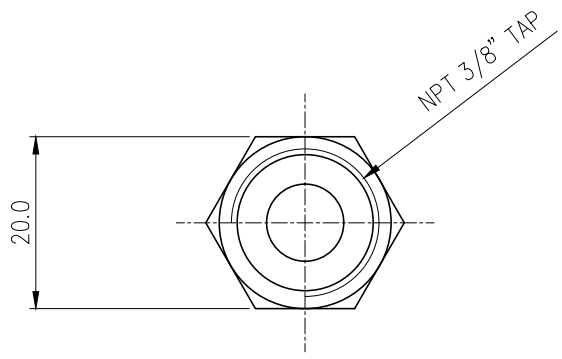


Thread Adapter, G 1/4 Male to NPT 3/8 Female



Thread adapter from G 1/4 BSPP (male) to NPT 3/8 (female).

General	
Weight	0.04 lb (0.02 kg)
Fitting Thread	G 1/4 BSPP, NPT 3/8
Max Pressure Tolerance @ 25 °C	15kgf/cm2 (213.4psi)
Max Temperature Tolerance	120 °C (248 °F)
Wetted Materials	Brass, Nickel Plating, EPDM



NO.	DESCRIPTION	MATER'L		QUANTITY	REMARKS
	KOOLANCE	UNIT	MM	APPAR	ADT-G14M-N38F
		SCALE	N/S	TITLE	
DATE	BY	BY	BY	APPRO	Ass'y
04/06/2017	S.J.LEE			BY	
					DWG. NO.