

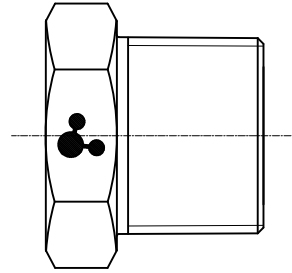
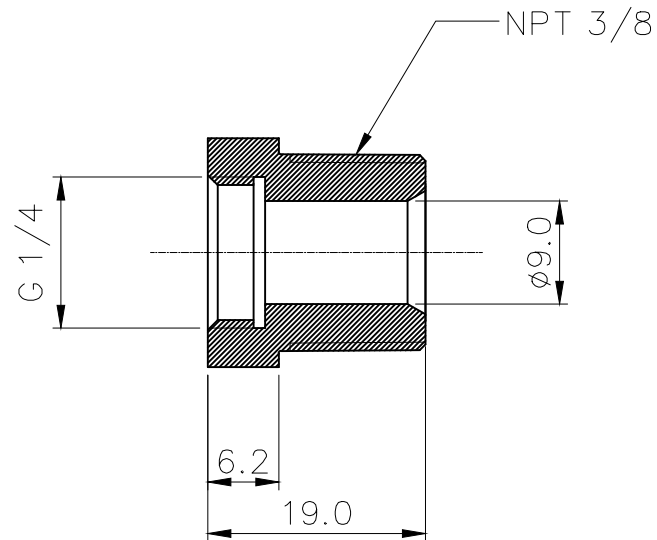
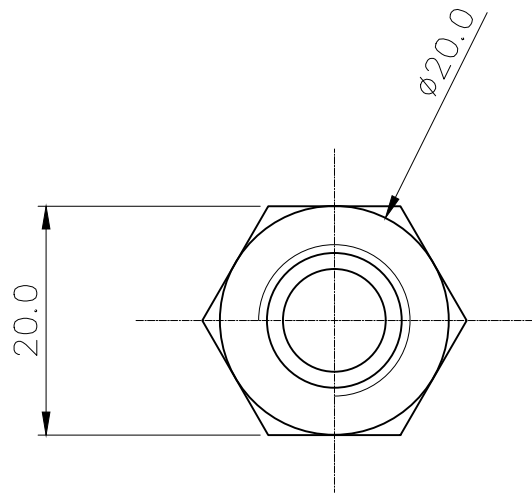
P/N: ADT-N38M-G14F-SS

Thread Adapter, NPT 3/8 Male to G 1/4 Female, Stainless Steel



Thread adapter from NPT 3/8 (male) to G 1/4 BSPP (female).

General	
Weight	0.05 lb (0.02 kg)
Fitting Thread	NPT 3/8, G 1/4 BSPP
Max Pressure Tolerance @ 25 °C	15kgf/cm ² (213.4psi)
Max Temperature Tolerance	120 °C (248 °F)
Wetted Materials	SUS 316, EPDM



NO.	DESCRIPTION			MATER'L	QUANTITY	REMARKS
	KOLANCE			UNIT	MM	ITEM ADT-N38M-G14F-SS
				SCALE	N/S	TITLE
DATE	BY	BY	BY	APPRO BY	3RD ANGLE	
	ys.shir				CODE NO.	DWG. NO.
						PAGE
						-

REV	DATE	CONTENTS	REVD BY	CHKD BY	APPD BY
REVISION					