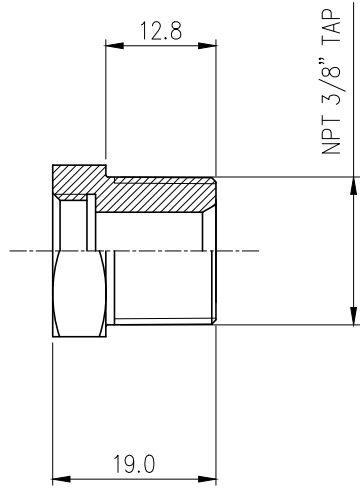
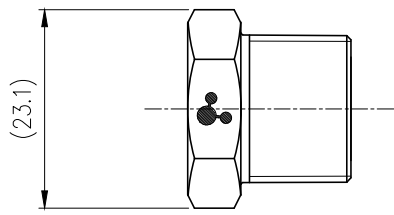
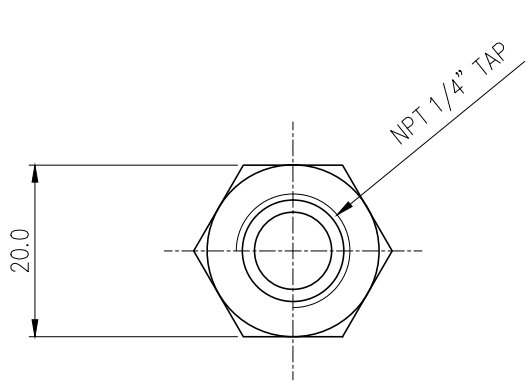




Thread adapter from NPT 3/8 (male) to G 1/4 BSPP (female).

General	
Weight	0.05 lb (0.02 kg)
Fitting Thread	NPT 3/8, G 1/4 BSPP
Max Pressure Tolerance @ 25° C	15kgf/cm2 (213.4psi)
Max Temperature Tolerance	120° C (248° F)
Wetted Materials	Brass, Nickel Plating, EPDM



NO.	DESCRIPTION	MATER'L	QUANTITY	REMARKS
	KOOLANCE	UNIT	MM	APPAR ADT-N38M-G14F
		SCALE	N/S	TITLE
DATE	BY	BY	APPRO BY	3RD ANGLE
04/06/2017	S.J.LEE			DWG. NO.
				Ass'y