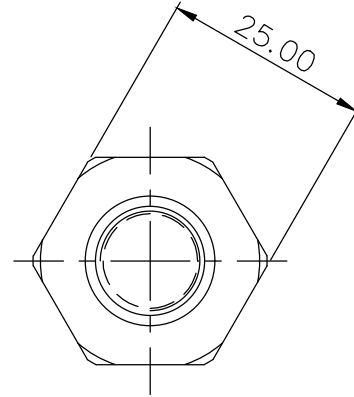
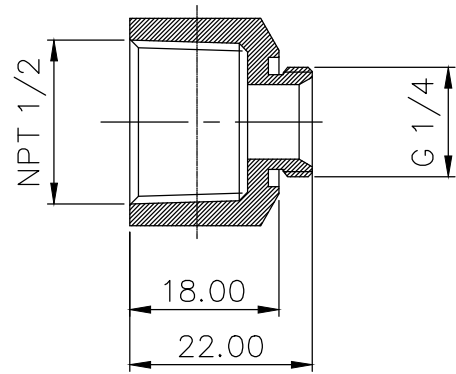
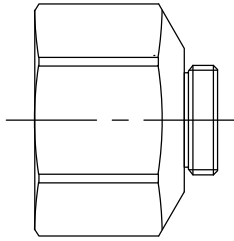




Thread adapter from NPT 1/2 (female) to G 1/4 BSPP (male).

General	
Weight	0.11 lb (0.05 kg)
Fitting Thread	NPT 1/2, G 1/4 BSPP
Max Pressure Tolerance @ 25 °C	15kgf/cm2 (213.4psi)
Max Temperature Tolerance	120 °C (248 °F)
Wetted Materials	Brass, Nickel Plating



NO.	DESCRIPTION				MATER'L		QUANTITY	REMARKS
					UNIT	MM	PART NO. ADT-N12F-G14M	
					SCALE	N/S		TITLE
DATE	BY	BY	BY	APPRD BY	3RD ANGLE			F-M Type (NPT1/2-G1/4)
	ys.shin				DWG. NO.		ITEM	