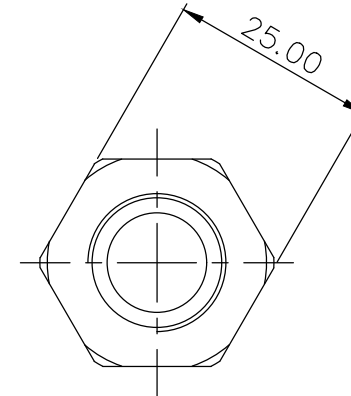
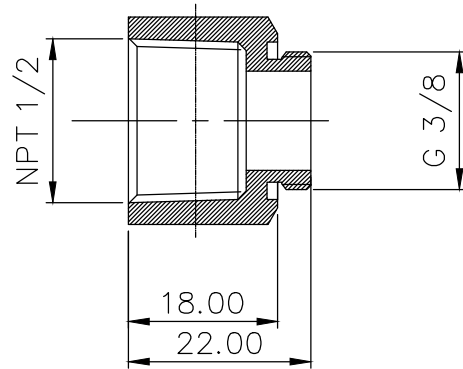
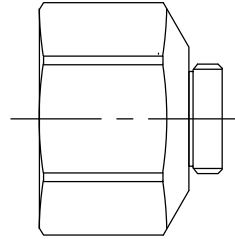


Threading Adapter, NPT 1/2 Female to G 3/8 Male



Single fitting threading adapter, from NPT 1/2 (female) to G 3/8 BSPP (male).

General	
Weight	0.11 lb (0.05 kg)
Fitting Thread	NPT 1/2, G 3/8 BSPP
Materials	Brass, Nickel Plating
Max Pressure @ 25 °C	15kgf/cm2 (213.4psi)
Max Temp. Operating Tolerance	120 °C (248 °F)



NO.	DESCRIPTION				MATER'L		QUANTITY	REMARKS
	KOOLANCE				UNIT	MM	PART NO. ADT-N12F-G38M	
					SCALE	N/S		TITLE
DATE	BY	BY	BY	APPRD BY	3RD ANGLE		F-M Type (NPT1/2-G3/8)	
	ys.shin				DWG. NO.	ITEM		