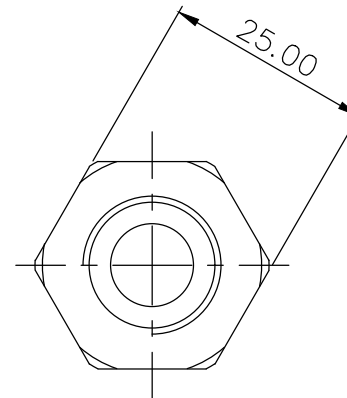
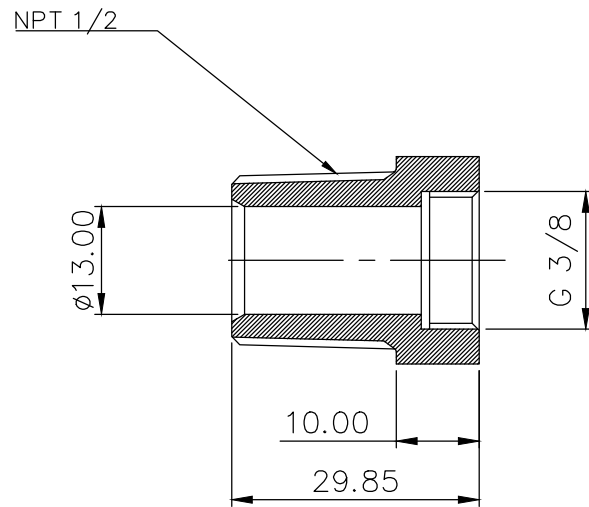
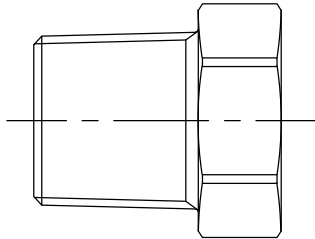




Thread adapter from NPT 1/2 (male) to G 3/8 BSPP (female).

General	
Weight	0.16 lb (0.07 kg)
Fitting Thread	NPT 1/2, G 3/8 BSPP
Max Pressure Tolerance @ 25 °C	15kgf/cm2 (213.4psi)
Max Temperature Tolerance	120 °C (248 °F)
Wetted Materials	Brass, Nickel Plating



NO.	DESCRIPTION				MATER'L		QUANTITY	REMARKS
					UNIT	MM	PART NO. ADT-N12M-G38F	
DATE					BY	BY	BY	APPRD BY
	ys.shin					3RD ANGLE	M-F Type (NPT1/2-G3/8)	
					DWG. NO.		ITEM	