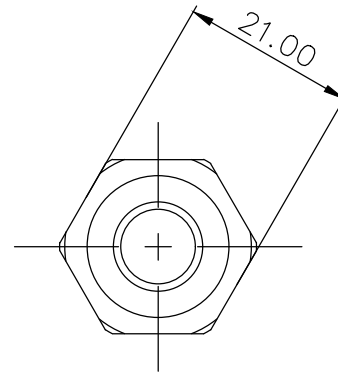
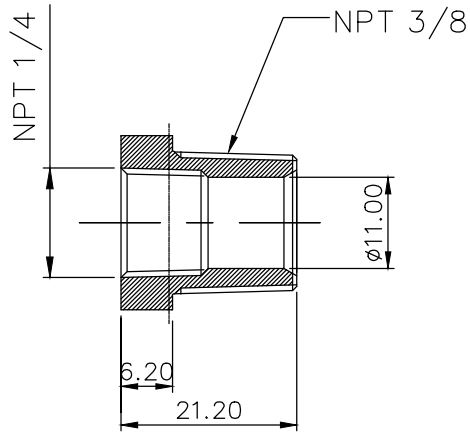
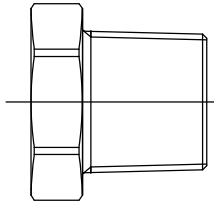




Thread adapter from NPT 1/4 (female) to NPT 3/8 (male).

General	
Weight	0.08 lb (0.04 kg)
Fitting Thread	NPT 1/4, NPT 3/8
Max Pressure Tolerance @ 25 °C	15kgf/cm2 (213.4psi)
Max Temperature Tolerance	120 °C (248 °F)
Wetted Materials	Brass, Nickel Plating



NO.	DESCRIPTION				MATER'L		QUANTITY	REMARKS
					UNIT	MM	PART NO. ADT-N14F-N38M	
					SCALE	N/S	TITLE	
DATE	BY	BY	BY	APPRD BY	3RD ANGLE		F-M Type (NPT1/4-G3/8)	
	ys.shin				DWG. NO.	ITEM		