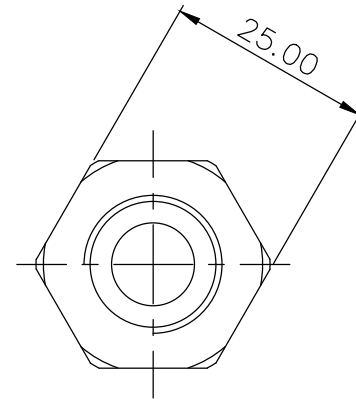
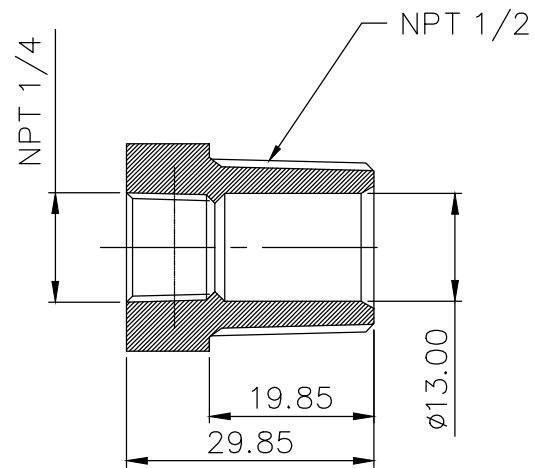
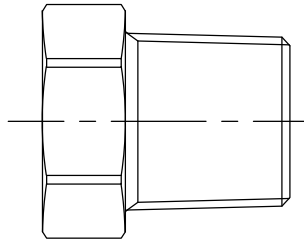




Thread adapter from NPT 1/4 (female) to NPT 1/2 (male).

General	
Weight	0.17 lb (0.08 kg)
Fitting Thread	NPT 1/4, NPT 1/2
Max Pressure Tolerance @ 25 °C	15kgf/cm2 (213.4psi)
Max Temperature Tolerance	120 °C (248 °F)
Wetted Materials	Brass, Nickel Plating



NO.	DESCRIPTION				MATER'L		QUANTITY	REMARKS
					UNIT	MM	PART NO. ADT-N14F-N12M	
					SCALE	N/S		TITLE
DATE	BY	BY	BY	APPRD BY	3RD ANGLE			F-M Type (NPT1/4-NPT/2)
	ys.shin				DWG. NO.	ITEM		