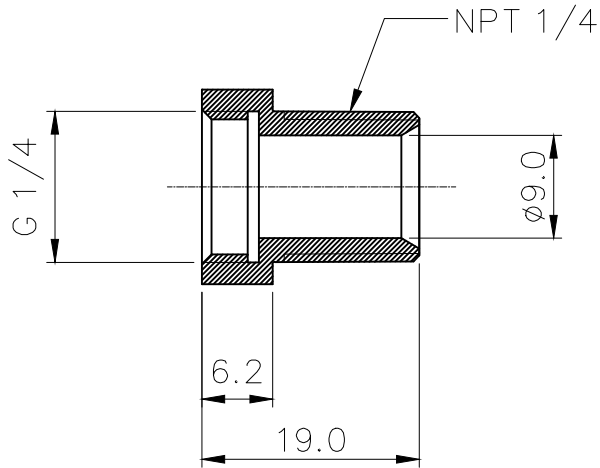
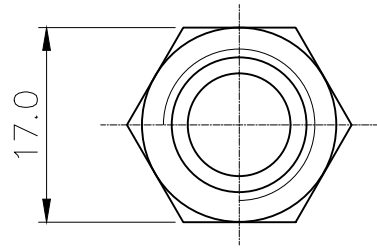
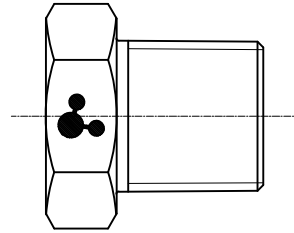




Thread adapter from NPT 1/4 (male) to G 1/4 BSPP (female).

General	
Weight	0.09 lb (0.04 kg)
Fitting Thread	NPT 1/4, G 1/4 BSPP
Max Pressure Tolerance @ 25°C	15kgf/cm ² (213.4psi)
Max Temperature Tolerance	120°C (248°F)
Wetted Materials	SUS 316



NO.	DESCRIPTION			MATER'L	QUANTITY	REMARKS
	KOLANCE			UNIT	MM	ITEM ADT-N14M-G14F-SS
				SCALE	N/S	TITLE
DATE	BY	BY	BY	APPRD BY	3RD ANGLE	
	ys.shir				CODE NO.	DWG. NO. PAGE
						-

REV	DATE	CONTENTS	REVD BY	CHKD BY	APPD BY
REVISION					