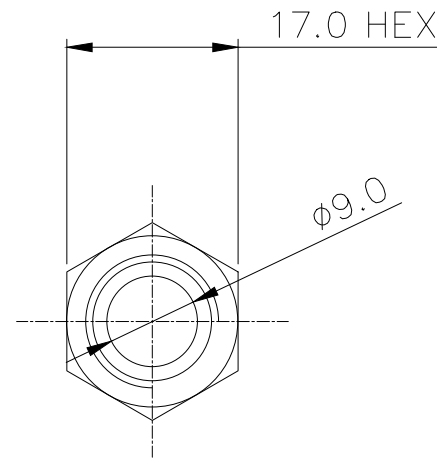
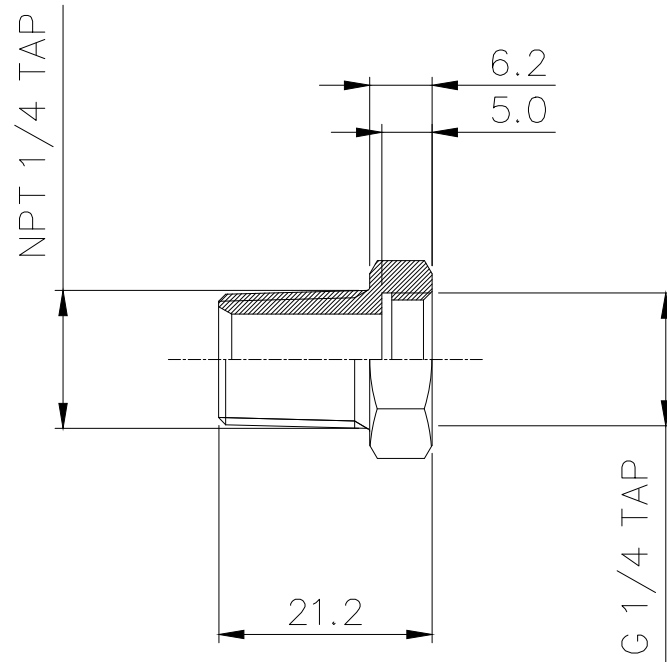




Thread adapter from NPT 1/4 (male) to G 1/4 BSPP (female).

General	
Weight	0.09 lb (0.04 kg)
Fitting Thread	NPT 1/4, G 1/4 BSPP
Max Pressure Tolerance @ 25 °C	15kgf/cm2 (213.4psi)
Max Temperature Tolerance	120 °C (248 °F)
Wetted Materials	Brass, Nickel Plating



REV	DATE	CONTENTS	REVD BY	CHKD BY	APPD BY
REVISION					

NO.	DESCRIPTION				MATER'L		QUANTITY	REMARKS
<b>KOOLANCE</b>					UNIT	MM	APPAR	ADT-N14M-G14F
	BY	BY	BY	APPRD BY	SCALE	N/S	Ass'y	
DATE					3RD ANGLE			
MAR.24.2025	S.J.LEE				CODE NO.		DWG. NO.	