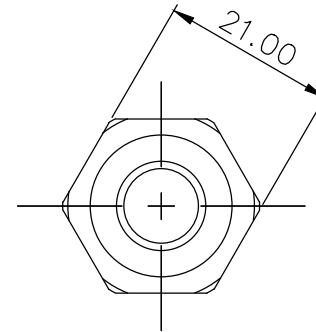
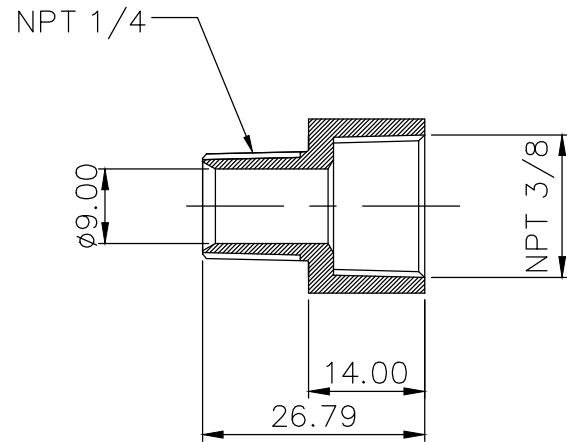
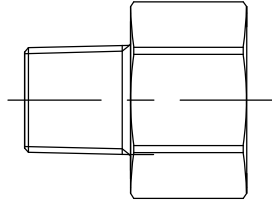




Thread adapter from NPT 1/4 (male) to NPT 3/8 (female).

General	
Weight	0.09 lb (0.04 kg)
Fitting Thread	NPT 1/4, NPT 3/8
Max Pressure Tolerance @ 25 °C	15kgf/cm2 (213.4psi)
Max Temperature Tolerance	120 °C (248 °F)
Wetted Materials	Brass, Nickel Plating



NO.	DESCRIPTION					MATER'L		QUANTITY	REMARKS
						UNIT	MM	PART NO. ADT-N14M-N38F	
						SCALE	N/S		TITLE
DATE	BY	BY	BY	APPRD BY	3RD ANGLE				
	ys.shin				DWG. NO.		ITEM		