

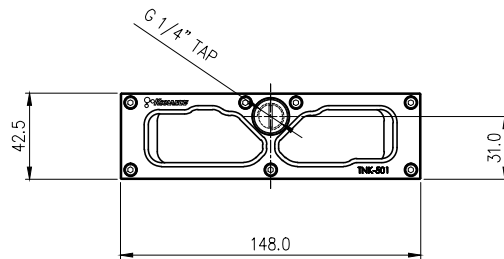
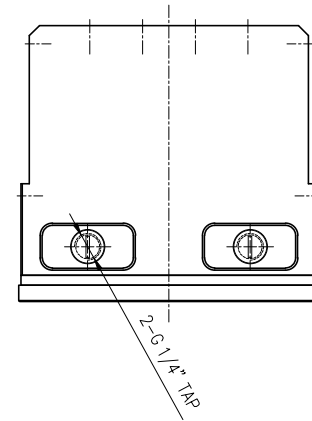
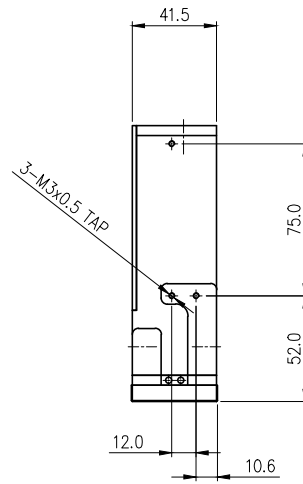
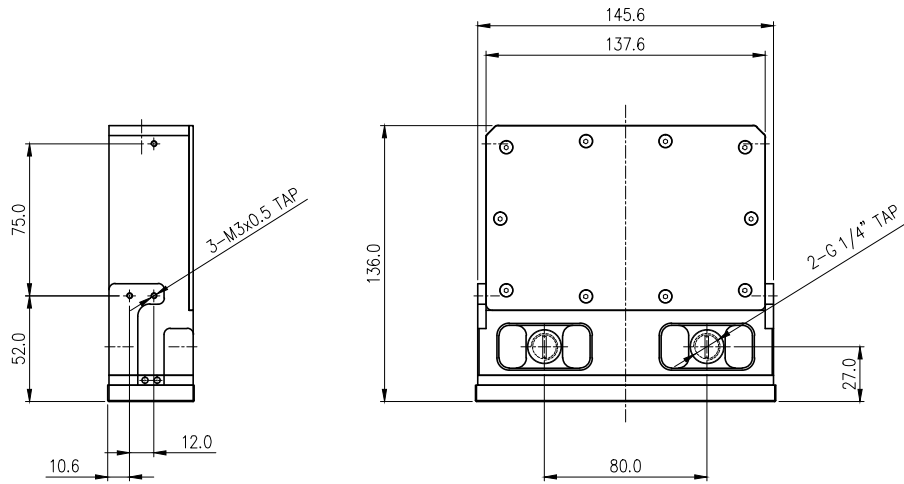
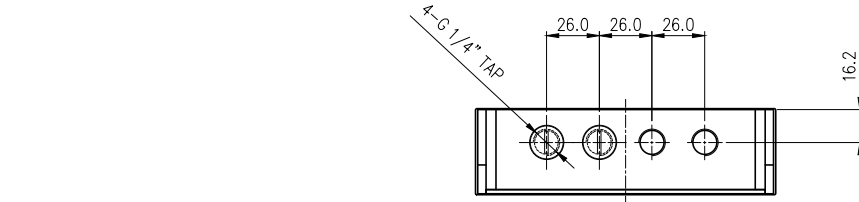
TNK-501 Single 5.25in Bay Reservoir, Rev.1.1



TNK-501 is a single 5.25" bay reservoir. Machined from a solid piece of acetal for maximum reliability, it has a thick acrylic window, front aluminum bezel, and stainless steel top cover. TNK-501 features 8 total G 1/4 BSPP (parallel) thread sockets: 2 on top, 2 on bottom, and 4 on the back. 6 socket plugs are included.

There are four pre-drilled holes for optional [3mm LEDs](#) on both sides of the acrylic window. Reservoir capacity = approx. 13.3 fl oz (394ml). Weight = 1.5 lbs (0.7kg). Total dimensions = 5.8" (14.8cm) W x 5.4" (13.6cm) L x 1.7" (4.2cm) H.

General	
Weight	1.50 lb (0.68 kg)
Max Pressure Tolerance @ 25° C	1.5kgf/cm2 (21.3psi)
Max Temperature Tolerance	70° C (158° F)
Reservoirs	
Capacity	394ml (13.3 fl oz)



NO.	DESCRIPTION	MATER'L		QUANTITY	REMARKS
	KOOLNCE	UNIT	MM	PART NO. TNK-501	
		SCALE	N/S	TITLE	
DATE	BY	BY	APPRO	BY	Ass'y
05/10/2017	S.J.LEE				
				DWG. NO.	ITEM