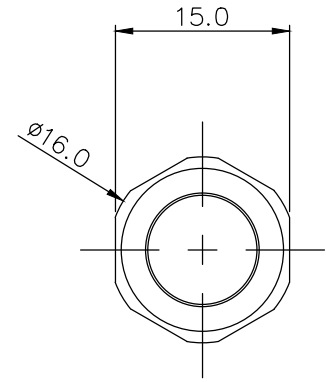
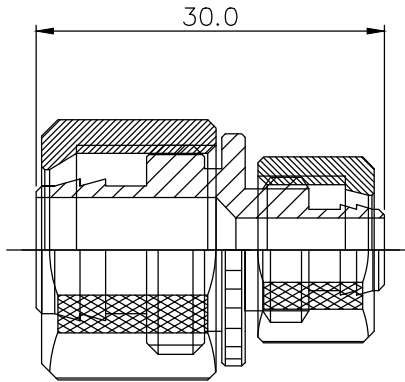
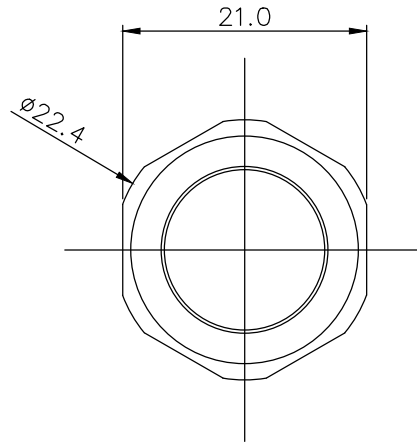


Tubing Adapter Single for 06mm x 10mm (1/4in x 3/8in) to 10mm x 13mm (3/8in x 1/2in)



Koolance tubing adapter from 6mm (1/4in) ID, 10mm (3/8in) OD to 10mm (3/8in) ID, 13mm (1/2in) OD.

General	
Weight	0.10 lb (0.05 kg)
Max Pressure Tolerance @ 25 °C	15kgf/cm2 (213.4psi)
Max Temperature Tolerance	200 °C (392 °F)
Wetted Materials	Brass, Nickel Plating



REV	DATE	CONTENTS	REVD BY	CHKD BY	APPD BY
REVISION					

DESCRIPTION		MATER'L		QUANTITY	REMARKS
KOOLANCE		UNIT	MM	ITEM	ADT-06T10S
		SCALE	N/S	TITLE	
DATE	BY	BY	BY	3RD ANGLE	Mechanical Dimension
	AK. SONG			CODE NO.	DWG. NO.
					PAGE