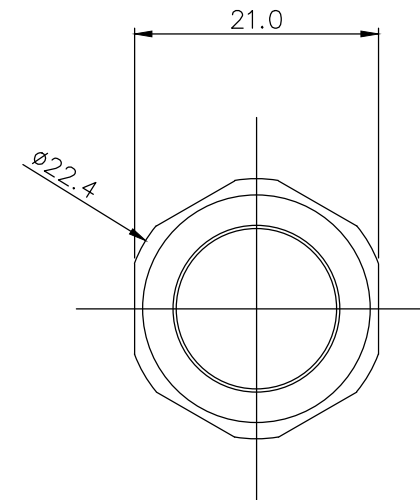
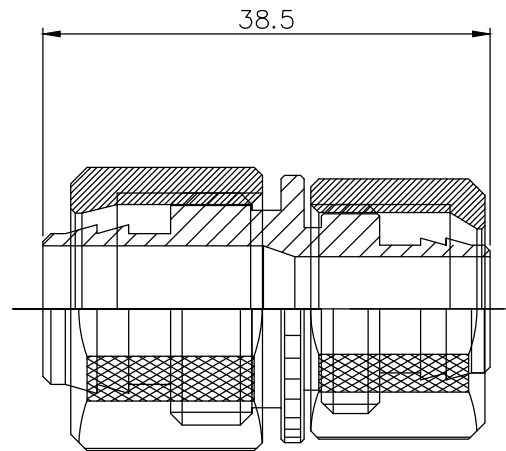
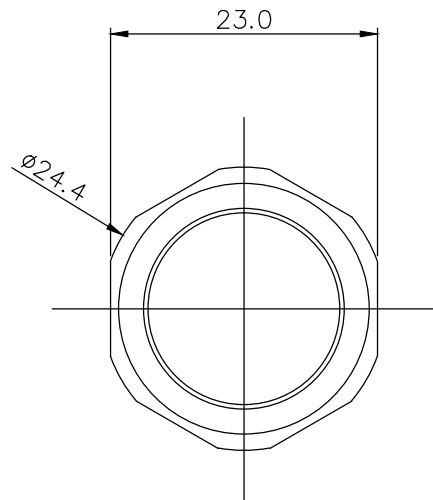


**Tubing Adapter Single for 10mm x 13mm (3/8in x 1/2in) to 13mm x 16mm (1/2in x 5/8in)**



Koolance tubing adapter from 10mm (3/8in) ID x 13mm (1/2in) OD to 13mm (1/2in) ID x 16mm (5/8in) OD.

General	
Weight	0.15 lb (0.07 kg)
Max Pressure Tolerance @ 25 °C	15kgf/cm <sup>2</sup> (213.4psi)
Max Temperature Tolerance	200 °C (392 °F)
Wetted Materials	Brass, Nickel Plating



REV	DATE	CONTENTS	REVD BY	CHKD BY	APPD BY

DESCRIPTION		MATER'L		QUANTITY	REMARKS
		UNIT	MM	ITEM	ADT-10T30S
		SCALE	N/S	TITLE	Mechanical Dimension
DATE	BY	BY	BY	APPRD BY	3RD ANGLE
	AK. SONG				CODE NO.
					DWG. NO.
					PAGE