

**VID-280 Water Block (NVIDIA GeForce 8800GTS 320/640MB Video Card)**

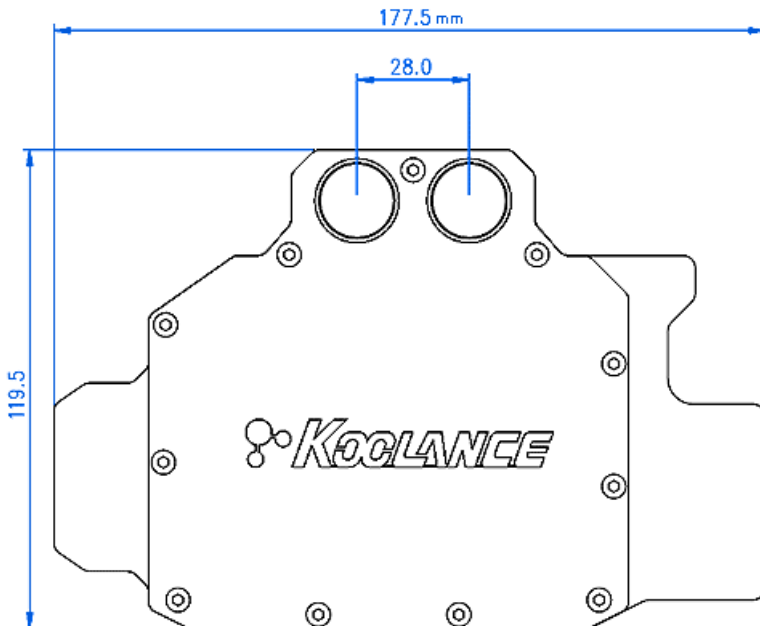


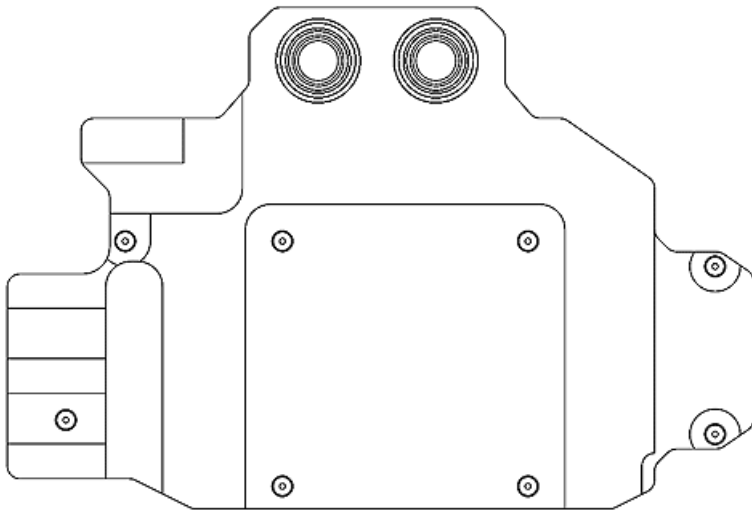
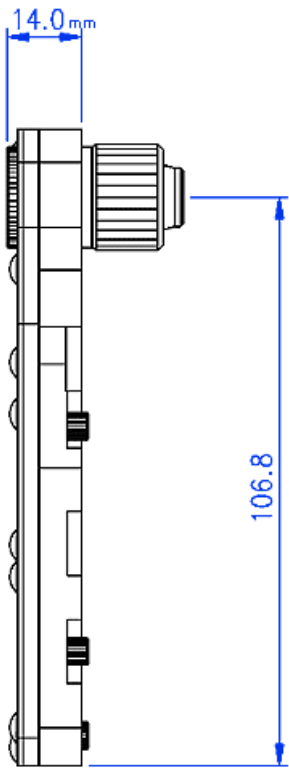
The Koolance VID-280 is a combined GPU and memory cooler for high-end video cooling of GeForce 8800GTS 320MB and 640MB (90nm) in single or multi video configurations. It combines a full gold-plated solid copper cooler which targets all primary heat-producing regions of the 8800, including the voltage regulators.

Put heatpipes to shame. The CHC-120 is designed to provide high efficiency liquid cooling for motherboard northbridge chipsets. Versatile mounting hardware allows the CHC-120 to cool almost all types of mainboards, or heat sources up to approximately 120W. Materials are solid copper with 24k gold plating and anodized aluminum top. G 1/4 BSPP fitting threading.

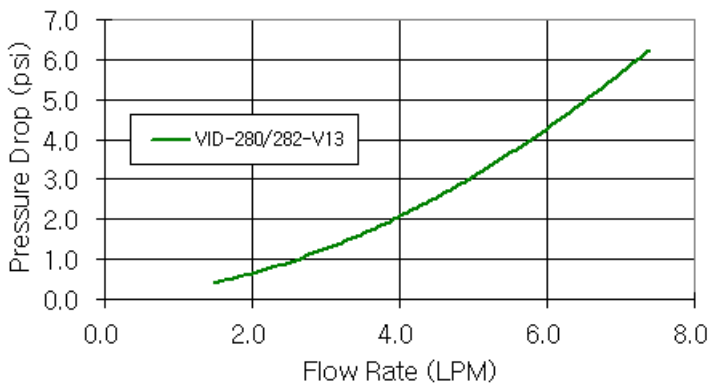
On certain motherboards, the CHC-120 may conflict with PCI-Express cards if placed on a southbridge chipset (due to the fittings). The [CHC-120-V06](#) is instead recommended.

General	
Weight	2.25 lb (1.02 kg)
Materials	Gold-Plated Copper, Aluminum, Silicone

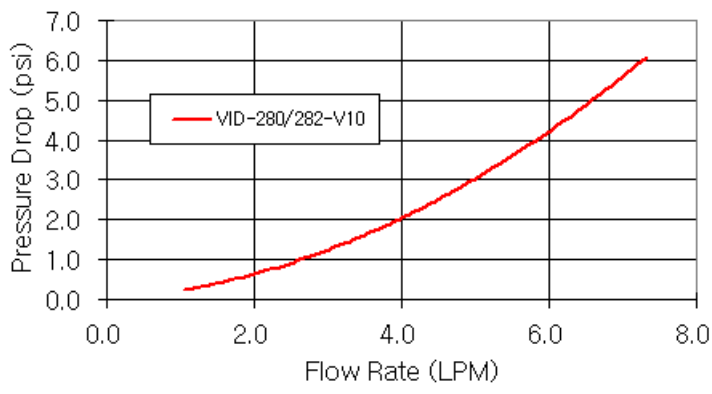




Pressure Drop vs. Flow Rate



Pressure Drop vs. Flow Rate



Pressure Drop vs. Flow Rate

