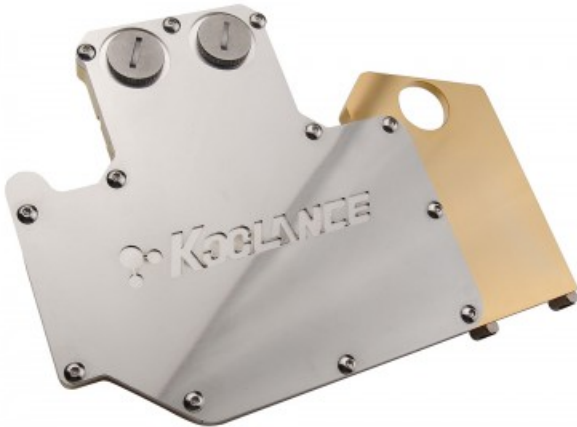


VID-290 Water Block (AMD Radeon HD 2900 XT/PRO Video Card)

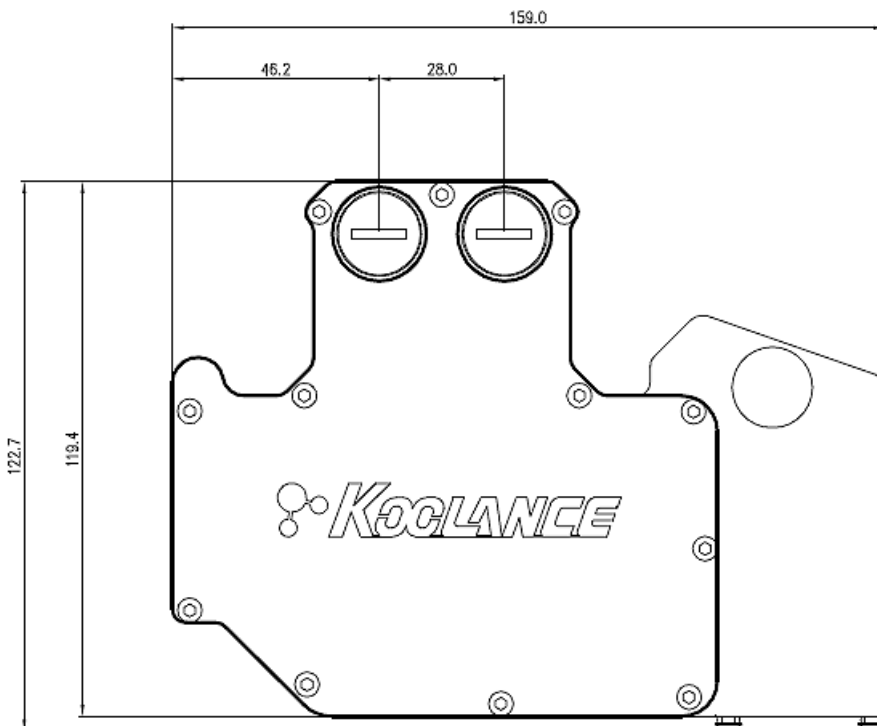


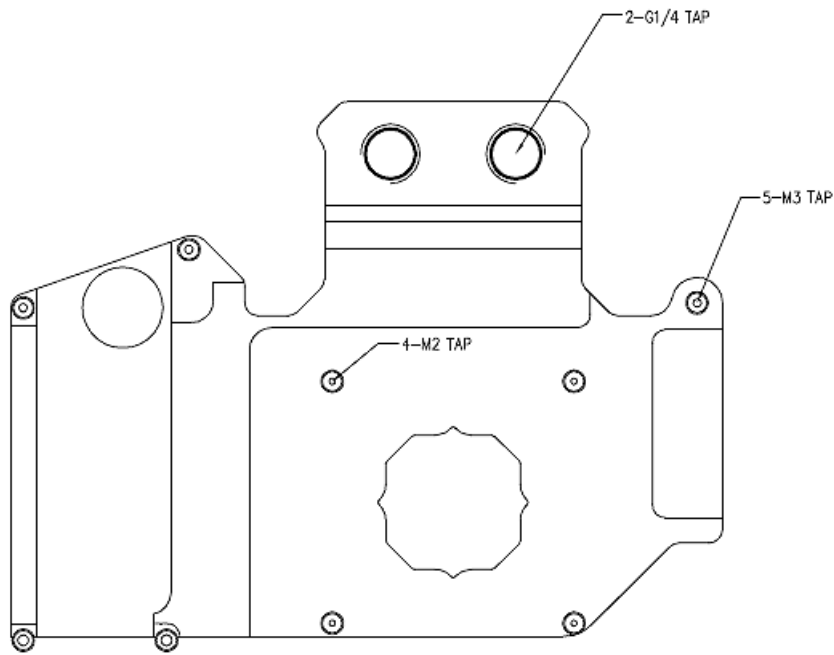
The new Koolance VID-290 is a combined GPU and memory cooler for high-end video cooling of Radeon HD 2900 XT and HD 2900 PRO in single or multi video configurations. It combines a full gold-plated solid copper cooler which targets all primary heat-producing regions of the 2900 XT/PRO (including the voltage regulators).

Fitting threading is standard G 1/4 BSPP. For multiple card configurations, video [connectors](#) are also available.

NOTE: This product is based on the original reference board layout. It will not fit video cards which have been changed from the original AMD or NVIDIA reference spec.

General	
Weight	2.00 lb (0.91 kg)
Materials	Gold-Plated Copper, Aluminum, Silicone





Pressure Drop vs. Flow Rate

