

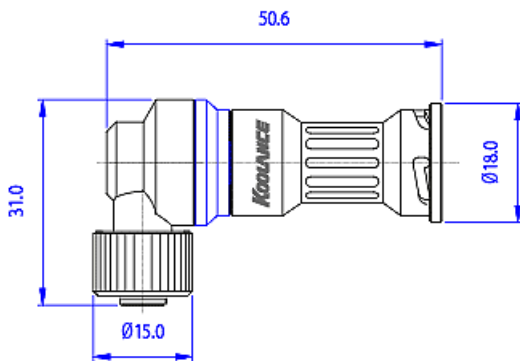
VL2N Female Quick Disconnect No-Spill Coupling, Angle for 06mm x 10mm (1/4in x 3/8in)



Koolance patented quick disconnect no-spill coupling with automatic shutoff. 6mm (1/4in) ID female swiveling elbow connection with compression fitting. It will only fit a Koolance VL2N male quick disconnect.

After a quarter twist, the quick-disconnect fittings will separate. Liquid on both sides will be automatically obstructed with approximately 0.2ml freed. Coolant volume lost upon disconnection will rise with internal pressure higher than 0.5kgf/cm² (7psi). Maximum operating pressure is 5kgf/cm² (71 psi). Maximum operating temperature is 90°C.

General	
Weight	0.13 lb (0.06 kg)



No-Spill Shut-Off Valve

