

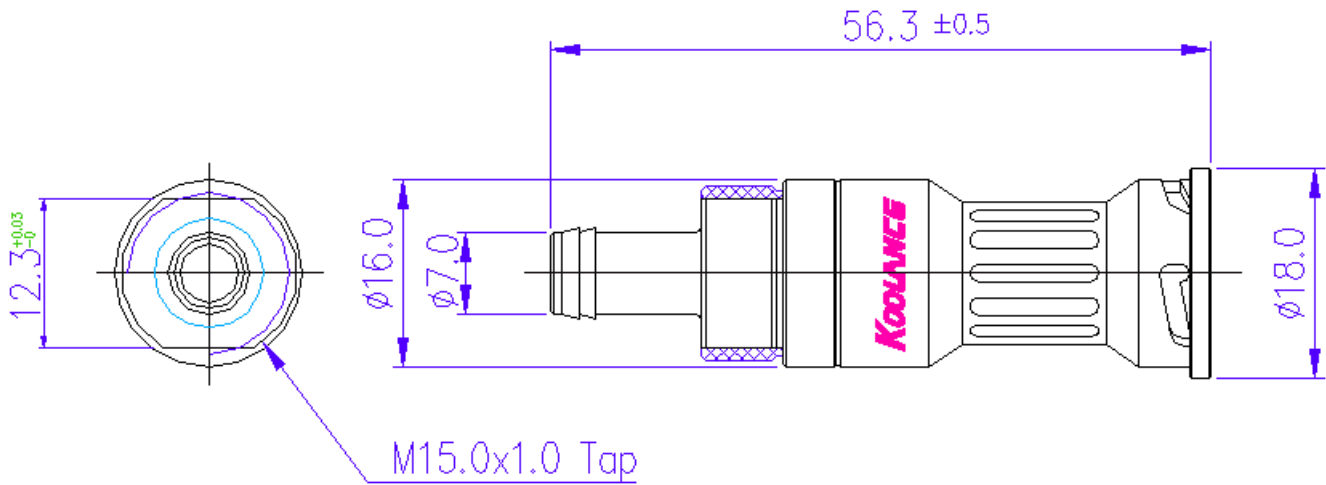
VL2N Female Quick Disconnect No-Spill Coupling, Panel Barb for ID 06mm (1/4in)



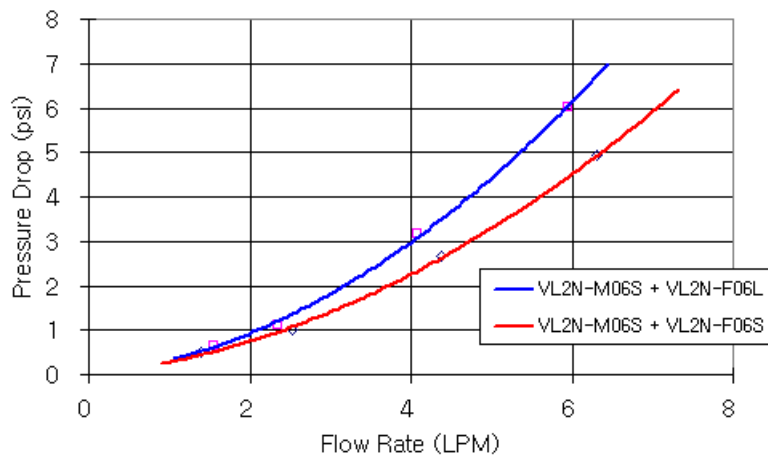
Koolance patented quick disconnect no-spill coupling with automatic shutoff. 6mm (1/4in) ID female panel-mountable barb fitting with spring clamp. It will only fit a Koolance VL2N male quick disconnect.

After a quarter twist, the quick-disconnect fittings will separate. Liquid on both sides will be automatically obstructed with approximately 0.2ml freed. Coolant volume lost upon disconnection will rise with internal pressure higher than 0.5kgf/cm² (7psi). Maximum operating pressure is 5kgf/cm² (71 psi). Maximum operating temperature is 90°C.

General	
Weight	0.09 lb (0.04 kg)



No-Spill Shut-Off Valve



Koolance "VL2N" 6mm or 10mm ID Panel Barb Hole Size

