

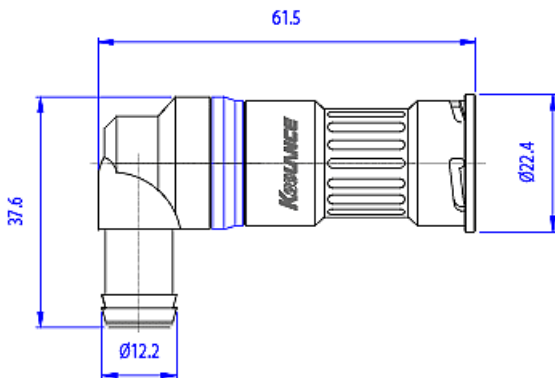
**VL3N Female Quick Disconnect No-Spill Coupling, Angle Barb for ID 10mm (3/8in)**



Koolance patented quick disconnect no-spill coupling with automatic shutoff. 10mm (3/8in) ID female swiveling elbow connection with hose barb and clamp. It will only fit a Koolance VL3N male quick disconnect.

After a quarter twist, the quick-disconnect fittings will separate. Liquid on both sides will be automatically obstructed with approximately 0.2ml freed. Coolant volume lost upon disconnection will rise with internal pressure higher than 0.5kgf/cm<sup>2</sup> (7psi). Maximum operating pressure is 2-2.5kgf/cm<sup>2</sup> (28-35 psi). Maximum operating temperature is 90 °C.

General	
Weight	0.20 lb (0.09 kg)



No-Spill Shut-Off Valve

